



Perfect Quality Global Sharing
完美品质 全球共享



地址: 温州市经济技术开发区滨海园区四道四路
Address: Road 4 Avenue 4, Binhai Park, Wenzhou Economy & Technology Development Zone

销售1部(Sales Department 1)
电话/TEL: 86-0577-86937037
销售2部(Sales Department 2)
电话/TEL: 86-0577-86917753
E-mail: sales@mzcv.cn

外贸部(Foreign Trade Department)
电话/TEL: 86-0577-86917763
传真/FAX: 86-0577-86917911
E-mail: mzc@mzcv.cn
网址: www.mzcv.cn



ABOUT US

介绍

温州美中斯阀门有限公司（原名：温州龙湾永兴连杰机械阀门厂）创办于1993年。坐落于温州市经济技术开发区滨海园区。是一家集研发、设计、制造和经营不锈钢、碳钢等阀门和管件系列的高科技企业。拥有完善的计算机辅助设计系统和精良的电脑数控机床生产加工和检测设备。

产品

公司主要产品有以不锈钢和碳钢材质为主的各种内螺纹连接、外螺纹连接、卡式连接、焊接、法兰连接球阀、截止阀、止回阀、过滤器、闸阀等产品，可根据GB、ANSI、JIS、DIN等标准进行生产。

领域

广泛应用于石油、化工、天然气、轻工、电力、制药、染料、冶金、纤维、制革、纺织、食品、军工、建筑工程、制冷、供水等行业。

市场

公司拥有ISO质量管理体系和CE认证。公司自创办以来，产品畅销国内，远销美国、欧洲、东南亚等国家和地区。公司在全国各大城市均设有销售部及售后服务机构，可靠的质量保证体系和公司训练有素的员工队伍，为您购买到的MZC系列产品提供完善的质量体系的优质的售后服务。

公司遵循“结合人才、健全制度、确保安全、铸就精品、诚信服务、争创一流”的经营理念，以市场为导向，竭诚为广大用户提供优质的产品和服务。

Wenzhou MZC Valve Co., Ltd. was established in 1993, located in Binhai Park, Wenzhou Economy & Technology Development Zone which is specialized in designing and manufacturing Stainless Steel & Carbon Steel Floating Threaded Ball Valves, Flanged End Ball Valve, Gate Valve, Globe Valve, Check Valves and pipe fittings. With almost 18 years of production experience, we have become one of the leading manufacturers in this field.

Our company strictly complies with ISO9001:2008 system, and we have CE certificates. We mainly produce valves according to ANSI, DIN, JIS and China GB standards. Our products are widely used in the fields of water, oil, gas, petroleum, chemical and city pipeline networks. With good quality and services, we have gained a good reputation from customers from home and abroad.

Facing the furious competition of the valve market, we will fully exert our advantages in technology and management to continuously improve our product quality and manufacture high quality valves to satisfy customers. We welcome friends from home and abroad to join us, and share the markets around the world.

SINCE 1993

Perfect Quality Global Sharing



ISO9001:2008 质量管理体系认证



Ball Valve\Check Valve\Gate Valve\ CE Certificates

CE 认证

“20年来我们一直以严谨的品质管理体系给您提供优质服务
20 years we always insist on strict quality management system to provide quality services to our customers”



生产装备

公司拥有高精度的数控机床和先进的检测设备，精良的工艺以及严格完善的质量管理体系，并聚集着一批具有专业技术的团队，充分利用新技术、新工艺、新材料保证产品的稳定性和可靠性。

MZC company have high precision CNC machines & advanced testing equipments , sophisticated technology , mutual quality management system , and professional technology team . We fully use new technology , new workmanship and new materials to ensure the stability and reliability of the products .



检测中心

我们拥有先进的制造手段和完备的检测设备.确保每一个产品质量达标.这是我们对用户质量及服务的承诺.

We have advanced manufacturing machines and complete testing equipments . Ensure that every product qualified . This is commitment of quality and service for our customers .



Perfect Quality Global Sharing

完美品质 全球共享





MZC 101	一片式球阀, 1000WOG 1PC BALL VALVE, REDUCE PORT, SCREW ENDS 1000WOG	01
MZC 102	广式六角球阀, 2000WOG 1PC HEXAGON BALL VALVE REDUCE PORT, SCREW ENDS 2000WOG	02
MZC 103	广式球阀, 1000WOG 1PC BALL VALVE REDUCE PORT, SCREW ENDS 1000WOG	03
MZC 201	二片式球阀, 带锁, 1000WOG 2PC BALL VALVE WITH LOCKING DEVICE, FULL PORT, SCREW ENDS 1000WOG	04
MZC 202	二片式球阀, 德标M3 2-PC BALL VALVE, SCREW ENDS, FULL PORT, 1000WOG, PN63, DIN3202-M3	05
MZC 203	二片式球阀, 2000WOG 2PC BALL VALVE, SCREW ENDS, WITH LOCKING DEVICE 2000WOG	06
MZC 204	二片式高平台球阀, 1000WOG 2PC BALL VALVE, SCREW ENDS, ISO 5211 DIRECT MOUNTING PAD, 1000WOG	07
MZC 301	三片式内螺纹球阀, 带锁, 1000WOG 3PC BALL VALVE WITH LOCKING DEVICE, SCREW ENDS, 1000WOG	08
MZC 302	三片式对焊球阀, 带锁, 1000WOG 3PC BALL VALVE WITH BUTT WELDING ENDS, 1000WOG	09
MZC 303	三片式高平台球阀, 1000WOG 3PC BALL VALVE, SCREW ENDS 1000WOG, ISO-5211 DIRECT MOUNTING PAD	10
MZC 401	三通高平台球阀 1000WOG 3WAY BALL VALVE, SCREW ENDS 1000WOG, ISO-5211 DIRECT MOUNTING PAD	11
MZC 501	意大利式超薄型球阀 ITALY TYPE WAFER BALL VALVE	13/14
MZC 601	一体式法兰球阀 1PC FLANGED END BALL VALVE	15/16
MZC 602	二片式法兰球阀, 全通径, 低平台 2PC FLANGED END BALL VALVE, FULL PORT, ISO 5211 MOUNTING PAD	17/18
MZC 603	二片式高平台法兰球阀 2PC FLANGED END BALL VALVE, FULL PORT, ISO 5211 DIRECT MOUNTING PAD	19/20
MZC 604	三片式法兰球阀 3PC FLANGED END BALL VALVE, FULL PORT	21/22
MZC 605	三片式法兰球阀, 全通径, 高平台 3PC FLANGED END BALL VALVE, FULL PORT, ISO 5211 DIRECT MOUNTING PAD	23/24
MZC G01	螺纹闸阀 200WOG GATE VALVE SCREW ENDS 200WOG	26
MZC G02	螺纹截止阀 200WOG GLOBE VALVE SCREW ENDS 200WOG	27
MZC C01	旋启式止回阀 200WOG SWING CHECK VALVE SCREW ENDS 200WOG	28
MZC C02	Y型单簧止回阀 800WOG Y-TYPE SPRING LOADED CHECK VALVE, SCREW ENDS 800WOG	29
MZC C03	立式单簧止回阀 1000WOG VERTICAL SPRING LOADED CHECK VALVE, SCREW ENDS 1000WOG	30
MZC C04	对夹式止回阀, PN40 WAFFER SPRING LOADED CHECK VALVE, PN40	31
MZC S01	Y型过滤器 800WOG Y-TYPE STRAINER, SCREW ENDS 800WOG	32
MZC FG01	美标法兰闸阀 GATE VALVE FLANGE ENDS, 150/300LBS	33/34
MZC FG02	国标法兰闸阀 GATE VALVE FLANGE ENDS, GB STANDARD	35/36
MZC FG03	美标法兰截止阀 GLOBE VALVE FLANGE ENDS, 150/300LBS	37/38
MZC FG04	国标法兰截止阀 GATE VALVE FLANGE ENDS, GB STANDARD	39/40
	不锈钢管道配件系列 STAINLESS STEEL PIPE FITTINGS SERIES	41

SCREW ENDS BALL VALVE
SERIES

螺纹球阀
系列



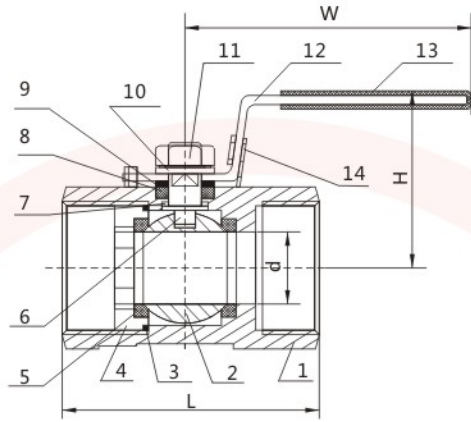
1PC BALL VALVE, REDUCE PORT, SCREW ENDS 1000WOG

一片式球阀, 1000WOG

MZC
101



1PC Ball Valve with Locking Device
一片式球阀, 带锁



1PC Ball Valve with Butterfly Handle
一片式碟型手柄球阀



1PC Stainless Steel Ball Valve
一片式不锈钢球阀



1PC Carbon Steel Ball Valve
一片式球阀

产品说明

- 精密铸造阀体
- 防脱出阀杆
- 球槽减压孔设计
- 各种标准螺纹: NPT/BSPP/BSPT/PT
- 带锁手柄可选配
- 工作压力: 1000PSI/PN63

标准

- 设计标准: ASME B16.34
- 螺纹标准: ANSI B1.20.1, BS 21/2799, DIN 259/2999, ISO 228
- 检测标准: API598

PRODUCT DESCRIPTION:

Investment Casting Body
Blow-Out Proof Stem
Pressure Bance Hole In Ball Slot
Threads Types: NPT/BSPP/BSPT/PT
Locking Device Handle Available
Working Pressure: 1000PSI/PN63

STANDARD:

Design Acc: ASME B16.34
Threads Acc: ANSI B1.20.1, BS 21/2799, DIN 259/2999, ISO 228
Inspection&Testing Acc: API 598

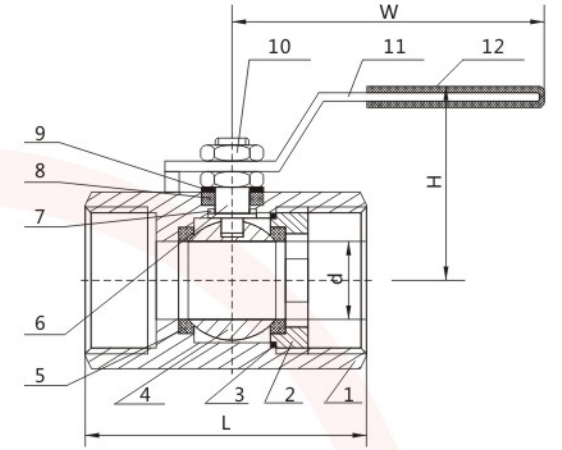
ITEM	PART 零配件		MATERIAL 材质		
	1	2	3	4	5
1	Body	阀体	CF8M	CF8	WCB
2	Ball	球体	316	304	304
3	Body Gasket	密封圈	PTFE		
4	Cap	阀盖	CF8M	CF8	WCB
5	Ball Seat	阀座	PTFE/RPTFE		
6	Stem	阀杆	316	304	304
7	Thrust Washer	止推垫片	PTFE		
8	Stem Packing	填料	PTFE		
9	Washer	垫圈	304		
10	Sping Washer	弹簧垫圈	304		
11	Nut	螺母	304		
12	Handle	手柄	304		
13	Handle Cover	手柄套	Plastic		
14	Locking Device	锁装置	301		

SIZE	Φd	L	H	W
1/4"	5	40	30	75
3/8"	7	45	30	90
1/2"	9	56	41	96
3/4"	12	59	50.5	108
1"	15	71	50.5	108
1-1/4"	20	77.5	51	131
1-1/2"	25	84	61	149
2"	32	99	69	149
2-1/2"	38	110	88	163
3"	48	135.5	100	165
4"	65	190	134	243

1PC HEXAGON BALL VALVE REDUCE PORT, SCREW ENDS 2000WOG

广式六角球阀, 2000WOG

MZC
102



产品说明

- 锻钢阀体
- 材质: F316, F304, A105
- 工作压力: 2000PSI
- 各种标准螺纹: NPT/BSPP/BSPT/PT

PRODUCT DESCRIPTION:

Forged Steel Body
Material: F316, F304, A105
Working Pressure: 2000PSI
Threads Types: NPT/BSPP/BSPT/PT

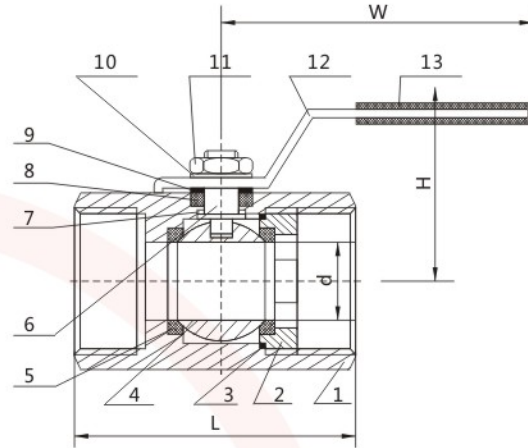
ITEM	PART 零配件		MATERIAL 材质		
	1	2	3	4	5
1	Body	阀体	316	304	A105
2	End Plug	端盖	316	304	304
3	Body Gasket	密封圈	PTFE		
4	Ball	球体	316	304	304
5	Ball Seat	阀座	PTFE/RPTFE		
6	Stem	阀杆	316	304	304
7	Thrust Washer	止推垫片	PTFE		
8	Stem Packing	填料	PTFE		
9	Washer	垫圈	304		
10	Nut	螺母	304		
11	Handle	手柄	304		
12	Handle Cover	手柄套	Plastic		

SIZE	Φd	L	H	W
1/4"	5	48	32	65
3/8"	7	55	42	85
1/2"	9	61	58	95
3/4"	12	66	62	110
1"	15	73	68	110
1-1/4"	20	89	75	140
1-1/2"	25	96	83	140
2"	32	110	90	180

1PC BALL VALVE REDUCE PORT, SCREW ENDS 1000WOG

广式球阀, 1000WOG

MZC
103



产品说明

- 锻钢阀体
- 材质: F316, F304, A105
- 工作压力: 1000PSI
- 各种标准螺纹:
NPT/BSPP/BSPT/PT DIN259/2999

PRODUCT DESCRIPTION:

Forged Steel Body
Material: F316, F304, A105
Working Pressure: 1000PSI
Threads Types: NPT/BSPP/BSPT/PT
 DIN259/2999

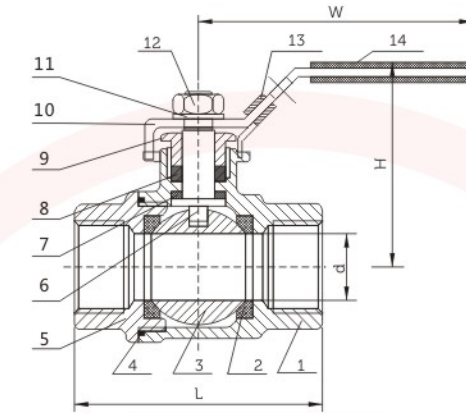
ITEM	PART 零配件		MATERIAL 材质		
	1	2	316	304	A105
1	Body	阀体	316	304	A105
2	End Plug	端盖	316	304	304
3	Body Gasket	密封圈	PTFE		
4	Ball	球体	316	304	304
5	Ball Seat	阀座	PTFE/RPTFE		
6	Stem	阀杆	316	304	304
7	Thrust Washer	止推垫片	PTFE		
8	Stem Packing	填料	PTFE		
9	Washer	垫圈	304		
10	Spring Washer	弹簧垫圈	304		
11	Nut	螺母	304		
12	Handle	手柄	304		
13	Handle Cover	手柄套	Plastic		

SIZE	Φd	L	H	W
1/2"	10.5	60	38	87
3/4"	13	67	38	95
1"	17	73	46	102
1-1/4"	22	89	60	121
1-1/2"	25	96	63	153
2"	32	104	72	153

2PC BALL VALVE WITH LOCKING DEVICE, FULL PORT, SCREW ENDS 1000WOG

二片式球阀, 带锁, 1000WOG

MZC
201



2PC M/M Screw Ends Ball Valve
二片式外螺纹球阀

2PC F/M Screw Ends Ball Valve
二片式内外螺纹球阀

2PC Economy Ball Valve
二片式科技型球阀

产品说明

- 精密铸造阀体
- 防脱出阀杆
- 全通径设计
- 球槽减压孔设计
- 各种标准螺纹:
NPT/BSPP/BSPT/PT
- 带锁手柄可选配
- 工作压力:
1000PSI/PN63

标准

- 设计标准: ASME B16.34
- 螺纹标准: ANSI B1.20.1
BS 21/2799
DIN 259/2999
ISO 228
- 检测标准: API598

PRODUCT DESCRIPTION:

Investment Casting Body
 Blow-Out Proof Stem
 Full Port
 Pressure Balance Hole In Ball Slot
Threads Types: NPT/BSPP/BSPT/PT
 Locking Device Handle Available
Working Pressure: 1000PSI/PN63

STANDARD:

Design Acc: ASME B16.34
Threads Acc: ANSI B1.20.1
 BS 21/2799
 DIN 259/2999
 ISO 228
Inspection&Testing Acc: API 598

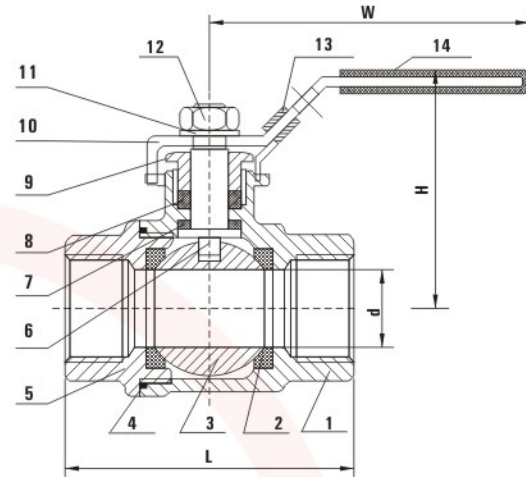
ITEM	PART 零配件		MATERIAL 材质		
	1	2	CF8M	CF8	WCB
1	Body	阀体	CF8M	CF8	WCB
2	Ball Seat	阀座	PTFE/RPTFE		
3	Ball	球体	316	304	304
4	Body Gasket	密封圈	PTFE		
5	Cap	阀盖	CF8M	CF8	WCB
6	Stem	阀杆	316	304	304
7	Thrust Washer	止推垫片	PTFE		
8	Stem Packing	填料	PTFE		
9	Gland Nut	压盖	304		
10	Handle	手柄	304		
11	Spring Washer	弹簧垫圈	304		
12	Nut	螺母	304		
13	Locking Device	锁装置	301		
14	Handle Cover	手柄套	Plastic		

SIZE	Φd	L	H	W
DN8	10.5	53.5	58	100
DN10	12	54	56	100
DN15	15	61	57	109
DN20	20	71	63.5	121
DN25	25	81.5	69.5	139
DN32	32	96	75.5	145
DN40	38	106	87	176
DN50	49	119	97	180
DN65	65	148	123	209
DN80	78	170	143	235
DN100	98	226	161	312

2-PC BALL VALVE, SCREW ENDS, FULL PORT, 1000WOG, PN63, DIN3202-M3

二片式球阀，德标 M3

MZC
202



产品说明

- 精密铸造阀体
- 防脱出阀杆
- 全通径设计
- 球槽减压孔设计
- 各种标准螺纹：
NPT/BSPP/BSPT/PT
- 带锁手柄可选配
- 工作压力：
1000PSI/PN63

标准

- 设计标准：ASME B16.34
- 结构长度标准：DIN3202-M3
- 螺纹标准：ANSI B1.20.1
BS 21/2799
DIN 259/2999
ISO 228
- 检测标准：API598

PRODUCT DESCRIPTION:

Investment Casting Body
Blow-Out Proof Stem
Full Port
Pressure Bance Hole In Ball Slot
Threads Types: NPT/BSPP/BSPT/PT
Locking Device Handle Available
Working Pressure: 1000PSI/PN63

STANDARD:

Design Acc: ASME B16.34
Length Acc: DIN3202-M3
Threads Acc: ANSI B1.20.1
BS 21/2799
DIN 259/2999
ISO 228
Inspection&Testing Acc: API 598

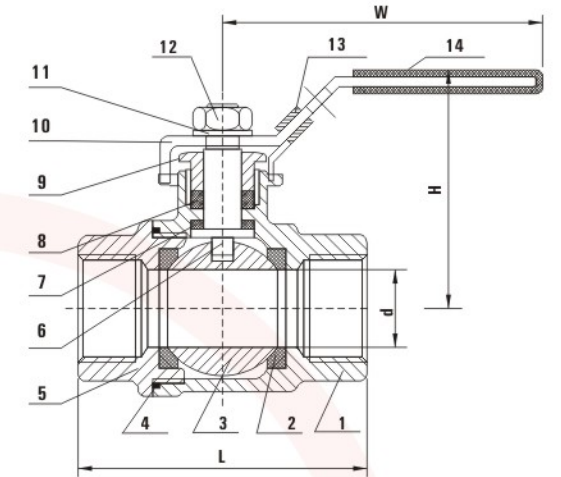
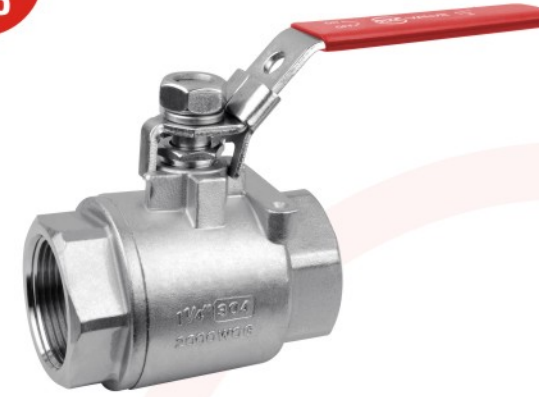
ITEM	PART 零配件	MATERIAL 材质			
			CF8M	CF8	WCB
1	Body 阀体	CF8M	CF8	WCB	
2	Ball Seat 阀座	PTFE/RPTFE			
3	Ball 球体	316	304	304	
4	Body Gasket 密封圈	PTFE			
5	Cap 阀盖	CF8M	CF8	WCB	
6	Stem 阀杆	316	304	304	
7	Thrust Washer 止推垫片	PTFE			
8	Stem Packing 填料	PTFE			
9	Gland Nut 压盖	304			
10	Handle 手柄	304			
11	Sping Washer 弹簧垫圈	304			
12	Nut 螺母	304			
13	Locking Device 锁装置	301			
14	Handle Cover 手柄套	Plastic			

SIZE	Φd	L	H	W
1/4"	10.5	50	50	100
3/8"	12	60	50	100
1/2"	15	75	60	130
3/4"	20	80	64	130
1"	25	90	71	165
1-1/4"	32	110	78	165
1-1/2"	38	120	86	190
2"	49	140	95	190
2-1/2"	65	185	130	215
3"	78	205	148	250
4"	100	240	180	280

2-PC BALL VALVE, SCREW ENDS, WITH LOCKING DEVICE 2000WOG

二片式球阀，2000WOG

MZC
203



产品说明

- 精密铸造阀体
- 防脱出阀杆
- 全通径设计
- 球槽减压孔设计
- 各种标准螺纹：
NPT/BSPP/BSPT/PT
- 带锁手柄可选配
- 工作压力：
2000PSI

标准

- 设计标准：ASME B16.34
- 螺纹标准：ANSI B1.20.1
BS 21/2799
DIN 259/2999
ISO 228
- 检测标准：API598

PRODUCT DESCRIPTION:

Investment Casting Body
Blow-Out Proof Stem
Full Port
Pressure Bance Hole In Ball Slot
Threads Types: NPT/BSPP/BSPT/PT
Locking Device Handle Available
Working Pressure: 2000PSI

STANDARD:

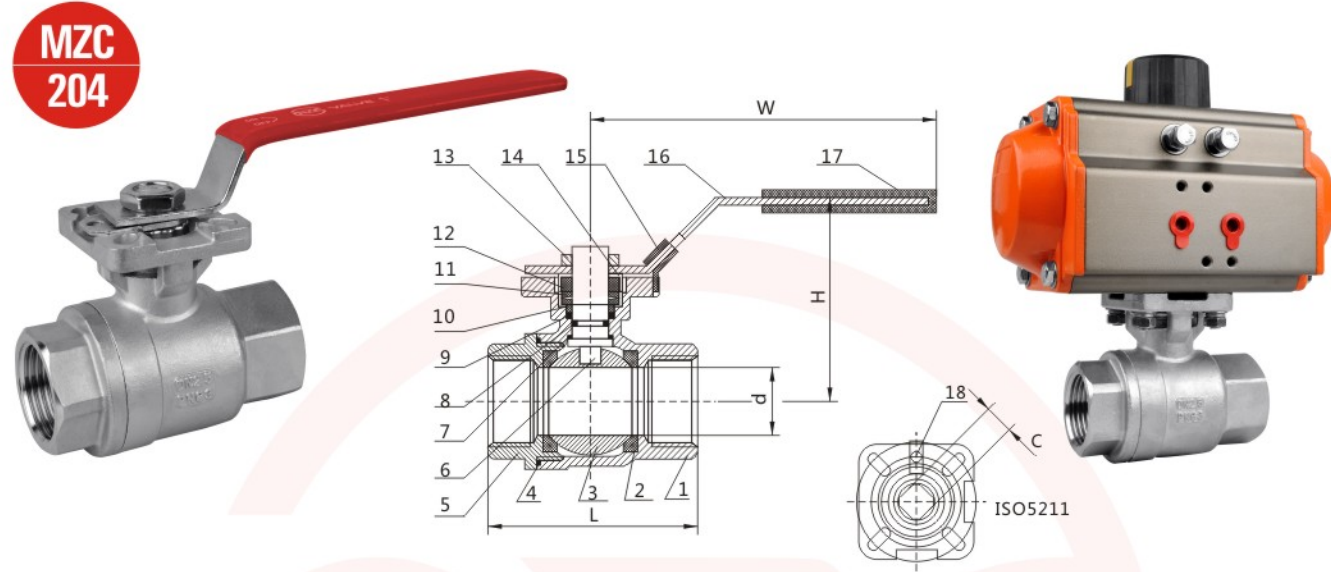
Design Acc: ASME B16.34
Threads Acc: ANSI B1.20.1
BS 21/2799
DIN 259/2999
ISO 228
Inspection&Testing Acc: API 598

ITEM	PART 零配件	MATERIAL 材质			
			CF8M	CF8	WCB
1	Body 阀体	CF8M	CF8	WCB	
2	Ball Seat 阀座	PTFE/RPTFE			
3	Ball 球体	316	304	304	
4	Body Gasket 密封圈	PTFE			
5	Cap 阀盖	CF8M	CF8	WCB	
6	Stem 阀杆	316	304	304	
7	Thrust Washer 止推垫片	PTFE			
8	Stem Packing 填料	PTFE			
9	Gland Nut 压盖	304			
10	Handle 手柄	304			
11	Sping Washer 弹簧垫圈	304			
12	Nut 螺母	304			
13	Locking Device 锁装置	301			
14	Handle Cover 手柄套	Plastic			

SIZE	Φd	L	H	W
DN15	15	64	57.5	107
DN20	20	73	58.5	107
DN25	25	86.5	71.5	125
DN32	32	93.5	82	143
DN40	38	110	83	159
DN50	49	123	100	159

2PC BALL VALVE, SCREW ENDS, ISO 5211 DIRECT MOUNTING PAD, 1000WOG

二片式高平台球阀, 1000WOG



产品说明

- 精密铸造阀体
- 防脱出阀杆
- 全通径设计
- 球槽减压孔设计
- 直装平台设计
- 防静电设计
- 各种标准螺纹：
NPT/BSPP/BSPT/PT
- 带锁手柄可选配
- 工作压力：1000PSI/PN63
- DIN3202-M3结构长度可选

标准

- 设计标准：ASME B16.34
- 螺纹标准：ANSI B1.20.1
BS 21/2799
DIN 259/2999
ISO 228
- 检测标准：API598

PRODUCT DESCRIPTION:

Investment Casting Body
Blow-Out Proof Stem
Full Port
Pressure Bance Hole In Ball Slot
ISO 5211 Direct Mounting Pad
Anti-Static Device on Ball and Body
Threads Types: NPT/BSPP/BSPT/PT
Locking Device Handle Available
Working Pressure: 1000PSI/PN63
Length Acc to DIN 3202 -M3 is available

STANDARD:

Design Acc: ASME B16.34
Threads Acc: ANSI B1.20.1
BS 21/2799
DIN 259/2999
ISO 228

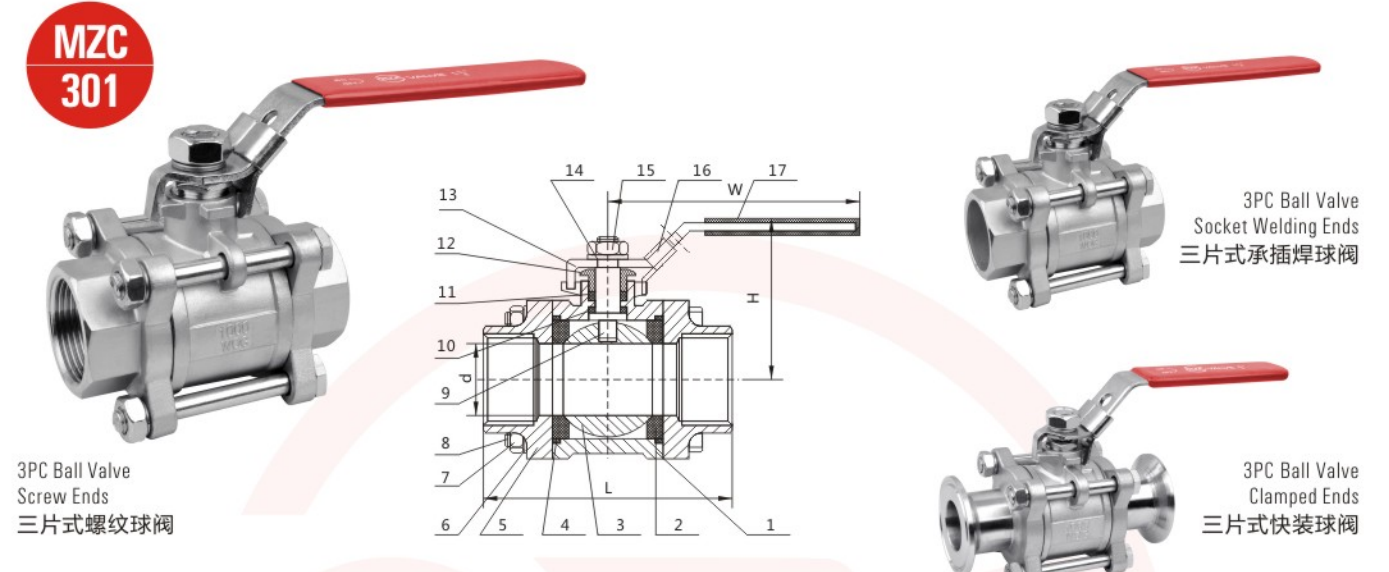
Inspection&Testing Acc: API 598

ITEM	PART零配件	MATERIAL 材质	MATERIAL 材质		
			CF8M	CF8	WCB
1	Body 阀体	CF8M	CF8	WCB	
2	Ball Seat 阀座	PTFE/RPTFE			
3	Ball 球体	316	304	304	
4	Body Gasket 密封圈	PTFE			
5	Cap 阀盖	CF8M	CF8	WCB	
6	Stem 阀杆	316	304	304	
7	Thrust Washer 止推垫片	PTFE			
8	O-Ring O型圈	VITON			
9	Stem Packing 填料	PTFE			
10	Gland Nut 压盖	304			
11	Bellevalle Washer 蝶簧	301			
12	Stop Nut 止动垫圈	304			
13	Nut 螺母	304			
14	Stop Washer 止动垫圈	304			
15	Locking Device 锁装置	301			
16	Handle 手柄	304			
17	Handle Cover 手柄套	Plastic			
18	Location Pin 定位插销	301			

SIZE	Φd	L		H	W	C	ISO5211
		Normal type	DIN3202-M3				
1/4"	10.5	50	50	60	110	9	F03
3/8"	12	50	60	60	110	9	F03
1/2"	15	60	75	64	110	9	F03/F04
3/4"	20	70	80	80	120	9	F03/F04
1"	25	90	90	93	145	11	F04/F05
1-1/4"	32	95	110	95	145	11	F04/F05
1-1/2"	38	106	120	126	160	14	F05/F07
2"	49	120	140	129	170	14	F05/F07
2-1/2"	65	160	185	148	230	17	F07/F10
3"	78	180	205	152	260	17	F07/F10
4"	100	220	240	187	300	19	F07/F10

3PC BALL VALVE WITH LOCKING DEVICE, SCREW ENDS, 1000WOG

三片式内螺纹球阀, 带锁, 1000WOG



产品说明

- 精密铸造阀体
- 防脱出阀杆
- 全通径设计
- 球槽减压孔设计
- 各种标准螺纹：
NPT/BSPP/BSPT/PT
- 带锁手柄可选配
- 工作压力：1000PSI/PN63

标准

- 设计标准：ASME B16.34
- 螺纹标准：ANSI B1.20.1
BS 21/2799
DIN 259/2999
ISO 228
- 检测标准：API598

PRODUCT DESCRIPTION:

Investment Casting Body
Blow-Out Proof Stem
Full Port
Pressure Bance Hole In Ball Slot
Threads Types: NPT/BSPP/BSPT/PT
Locking Device Handle Available
Working Pressure: 1000PSI/PN63

STANDARD:

Design Acc: ASME B16.34
Threads Acc: ANSI B1.20.1
BS 21/2799
DIN 259/2999
ISO 228

Inspection&Testing Acc: API 598

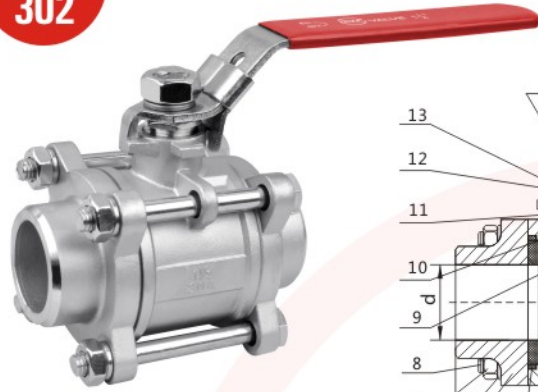
ITEM	PART零配件	MATERIAL 材质	MATERIAL 材质		
			CF8M	CF8	WCB
1	Body 阀体	CF8M	CF8	WCB	
2	Ball Seat 阀座	PTFE/RPTFE			
3	Ball 球体	316	304	304	
4	Body Gasket 密封圈	PTFE			
5	Cap 阀盖	CF8M	CF8	WCB	
6	Sping Washer 弹簧垫圈	304			
7	Nut 螺母	304			
8	Bolt 螺栓	304			
9	Stem 阀杆	316	304	304	
10	Thrust Washer 止推垫片	PTFE			
11	Stem Packing 填料	PTFE			
12	Gland Nut 压盖	304			
13	Handle 手柄	304			
14	Sping Washer 弹簧垫圈	304			
15	Nut 螺母	304			
16	Locking Device 锁装置	301			
17	Handle Cover 手柄套	Plastic			

SIZE	Φd	L	H	W
3/8"	12	67	56.5	109
1/2"	15	69.5	59.5	109
3/4"	20	80	69	126
1"	25	88	75.5	142
1-1/4"	32	102	83.5	177
1-1/2"	38	110	89	192
2"	49	131.5	95.5	192
2-1/2"	65	166	129	215
3"	78	193	137	233
4"	100	255	167	308

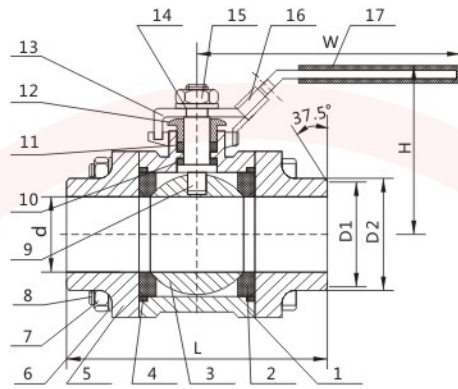
3PC BALL VALVE WITH BUTT WELDING ENDS, 1000WOG

三片式对焊球阀，带锁，1000WOG

MZC
302



3PC Ball Valve
Butt Welding Ends
三片式对焊球阀



3PC Welded Ball Valve
with Connection Pipe
带接管三片式焊接球阀



3PC Ball Valve with
Long Butt Welding Pipe
三片式加长对焊球阀

产品说明

- 精密铸造阀体
- 防脱出阀杆
- 全通径设计
- 球槽减压孔设计
- 带锁手柄可选配
- 工作压力：
1000PSI/PN63

标准

- 设计标准：ASME B16.34
- 对焊标准：ASME B16.25
- 检测标准：API598

PRODUCT DESCRIPTION:

Investment Casting Body
Blow-Out Proof Stem
Full Port
Pressure Balance Hole In Ball Slot
Locking Device Handle Available
Working Pressure: 1000PSI/PN63

STANDARD:

Design Acc: ASME B16.34
Butt Welding Acc: ASME B16.25
Inspection&Testing Acc: API 598

ITEM	PART 零配件	MATERIAL 材质
1	Body 阀体	CF8M CF8 WCB
2	Ball Seat 阀座	PTFE/RPTFE
3	Ball 球体	316 304 304
4	Body Gasket 密封圈	PTFE
5	Cap 阀盖	CF8M CF8 WCB
6	Sping Washer 弹簧垫圈	304
7	Nut 螺母	304
8	Bolt 螺栓	304
9	Stem 阀杆	316 304 304
10	Thrust Washer 止推垫片	PTFE
11	Stem Packing 填料	PTFE
12	Gland Nut 压盖	304
13	Handle 手柄	304
14	Sping Washer 弹簧垫圈	304
15	Nut 螺母	304
16	Locking Device 锁装置	301
17	Handle Cover 手柄套	Plastic

SIZE	Φd	L	H	W
DN8	10.5	61	55.5	109
DN10	12	61	56.5	109
DN15	15	72	57.5	109
DN20	20	81	68.5	126
DN25	25	93	73	142
DN32	32	108.5	87	177
DN40	38	117	92	192
DN50	49	141.5	101.5	192
DN65	65	177	138	215
DN80	78	200	144	233
DN100	100	243	169.5	308

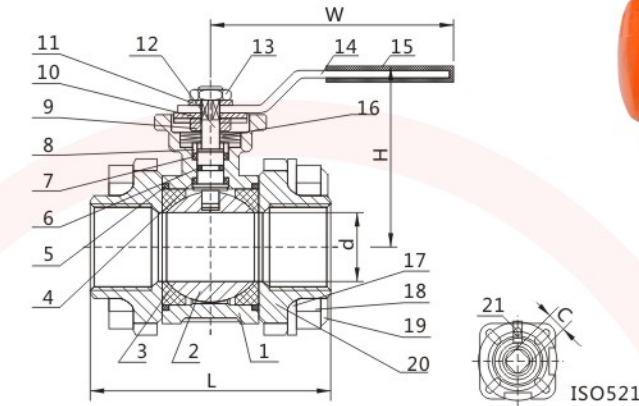
3PC BALL VALVE, SCREW ENDS 1000WOG, ISO-5211 DIRECT MOUNTING PAD

三片式高平台球阀，1000WOG

MZC
303



3PC Ball Valve ISO5211
Direct Mounting Pad
三片式高平台球阀



Pneumatic
3PC Ball Valve
气动三片式球阀

产品说明

- 精密铸造阀体
- 防脱出阀杆
- 全通径设计
- 球槽减压孔设计
- 直装平台设计
- 防静电设计
- 各种标准螺纹：
NPT/BSPP/BSPT/PT
- 带锁手柄可选配
- 工作压力：1000PSI/PN63

标准

- 设计标准：ASME B16.34
- 螺纹标准：ANSI B1.20.1
BS 21/2799
DIN 259/2999
ISO 228
- 检测标准：API598

PRODUCT DESCRIPTION:

Investment Casting Body
Blow-Out Proof Stem
Full Port
Pressure Balance Hole In Ball Slot
ISO 5211 Direct Mounting Pad
Anti-Static Device on Ball and Body
Threads Types: NPT/BSPP/BSPT/PT
Locking Device Handle Available
Working Pressure: 1000PSI/PN63

STANDARD:

Design Acc: ASME B16.34
Threads Acc: ANSI B1.20.1
BS 21/2799
DIN 259/2999
ISO 228
Inspection&Testing Acc: API 598

ITEM	PART 零配件	MATERIAL 材质
1	Body 阀体	CF8M CF8 WCB
2	Ball 球体	316 304 304
3	Ball Seat 阀座	PTFE/RPTFE
4	Thrust Washer 止推垫片	PTFE
5	Body Gasket 密封圈	PTFE
6	O-Ring O型圈	VITON
7	Stem Packing 填料	PTFE
8	Gland Nut 压盖	304
9	Nut 螺母	304
10	Stop Nut 止动垫圈	304
11	Sping Washer 弹簧垫圈	304
12	Stem 阀杆	316 304 304
13	Nut 螺母	304
14	Handle 手柄	304
15	Handle Cover 手柄套	304
16	Bellevalle Washer 蝶簧	301
17	Sping Washer 弹簧垫圈	Plastic
18	Nut 螺母	304
19	Bolt 螺栓	304
20	Cap 阀盖	CF8M CF8 WCB
21	Location Pin 定位插销	301

SIZE	Φd	L	H	W	C	ISO5211
DN15	15	71	60	110	9	F03/F04
DN20	20	81	70	120	9	F03/F04
DN25	25	93	73	145	11	F04/F05
DN32	32	109	85	145	11	F04/F05
DN40	38	119	95	160	14	F05/F07
DN50	49	142	102	170	14	F05/F07
DN65	65	166	123	230	17	F07/F10
DN80	78	192	135	260	17	F07/F10

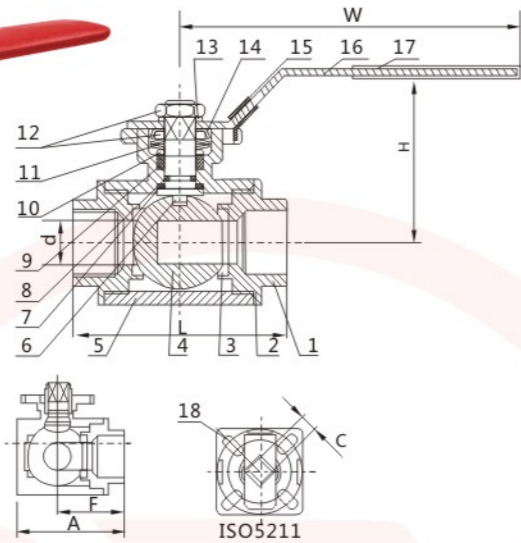
3WAY BALL VALVE, SCREW ENDS 1000WOG, ISO-5211 DIRECT MOUNTING PAD

三通高平台球阀 1000WOG

MZC
401



3 Way Ball Valve ISO5211
Direct Mounting Pad
三通高平台球阀



Pneumatic
3 Way Ball Valve
气动三通球阀



3 Way Ball Valve
三通球阀

产品说明

- 精密铸造阀体
- 防脱出阀杆
- 缩径设计
- L和T型球设计
- 直装平台设计
- 各种标准螺纹：
NPT/BSPP/BSPT/PT
- 带锁手柄可选配
- 工作压力：1000PSI/PN63

标准

- 设计标准：ASME B16.34
- 螺纹标准：ANSI B1.20.1
BS 21/2799
DIN 259/2999
ISO 228
- 检测标准：API598

PRODUCT DESCRIPTION:

Investment Casting Body
Blow-Out Proof Stem
Reduce Port
L Port or T Port Upon Request
ISO 5211 Direct Mounting Pad
Threads Types: NPT/BSPP/BSPT/PT
Locking Device Handle Available
Working Pressure: 1000PSI/PN63

STANDARD:

Design Acc: ASME B16.34
Threads Acc: ANSI B1.20.1
BS 21/2799
DIN 259/2999
ISO 228
Inspection&Testing Acc: API 598

ITEM	PART 零配件		MATERIAL 材质		
1	Cap	阀盖	CF8M	CF8	WCB
2	Body Gasket	密封圈	PTFE		
3	Ball Seat	阀座	PTFE/RPTFE		
4	Ball	球体	316	304	304
5	Body	阀体	CF8M	CF8	WCB
6	Stem	阀杆	316	304	304
7	Thrust Washer	止推垫片	PTFE		
8	O-Ring	O型圈	VITON		
9	Stem Packing	填料	PTFE		
10	Gland Nut	压盖	304		
11	Belleville Washer	蝶簧	301		
12	Nut	螺母	304		
13	Spring Washer	弹簧垫圈	304		
14	Stop Nut	止动垫圈	304		
15	Locking Device	锁装置	301		
16	Handle	手柄	304		
17	Handle Cover	手柄套	Plastic		
18	Location Pin	定位插销	301		

SIZE	Φd	L	H	W	C	ISO5211
1/2"	12	73	65	120	9	F03/F04
3/4"	15	80	69	120	9	F03/F04
1"	18	88	77	150	11	F04/F05
1-1/4"	25	125	87	150	11	F04/F05
1-1/2"	32	136	107	240	14	F05/F07
2"	38	158	112	240	14	F05/F07
2-1/2"	49	200	129	260	17	F07/F10
3"	65	240	150	300	17	F07/F10



FLANGE BALL VALVE SERIES

法兰球阀系列



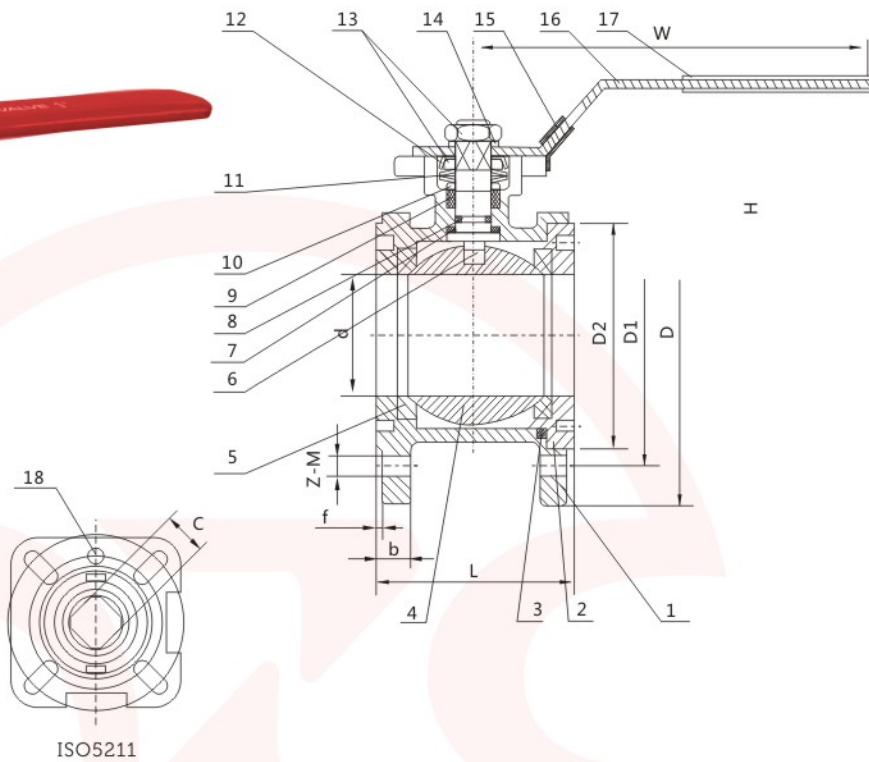
ITALY TYPE WAFER BALL VALVE

意大利式超薄型球阀

MZC
501



Wafer Ball Valve
ISO5211 Direct Mounting Pad
高平台薄型球阀



产品说明

- 精密铸造阀体
- 防脱出阀杆
- 全通径设计

标准

- 标准：GB 1.6 MPa/2.5 MPa
DIN PN16
- 检测标准：API 598

PRODUCT DESCRIPTION:

Investment Casting Body
Blow-Out Proof Stem
Full Port

STANDARD:

Standard: GB 1.6 MPa/2.5 MPa
DIN PN16

Inspection&Testing Acc: API 598



Wafer Ball Valve
薄型球阀



Pneumatic Wafer Ball Valve
气动薄型球阀

ITALY TYPE WAFER BALL VALVE

意大利式超薄型球阀

ITEM	PART 零配件		MATERIAL 材质		
1	Body	阀体	CF8M	CF8	WCB
2	Cap	阀盖	CF8M	CF8	WCB
3	Body Gasket	密封圈	PTFE		
4	Ball	球体	316	304	304
5	Ball Seat	阀座	CF8M	CF8	WCB
6	Stem	阀杆	316	304	304
7	Thrust Washer	止推垫片	PTFE		
8	O-Ring	O型圈	VITON		
9	Stem Packing	填料	PTFE		
10	Gland Nut	压盖	304		
11	Bellville Washer	蝶簧	301		
12	Stop Nut	止动垫圈	304		
13	Nut	螺母	304		
14	Spring Washer	弹簧垫圈	304		
15	Locking Device	锁装置	301		
16	Handle	手柄	304		
17	Handle Cover	手柄套	Plastic		
18	Location Pin	定位插销	301		

GB STANDARD(国标)

Size	d	L		D	D1	D2	b		Z-M		f	H	W	C	ISO5211
		1.6/2.5MPa	D				1.6MPa	2.5MPa	1.6MPa	2.5MPa					
DN15	15	35	95	65	44	12	14	4-M12	4-M12	2	80	93	9	F03/F04	
DN20	20	38	105	75	54	12	16	4-M12	4-M12	2	85	125	9	F03/F04	
DN25	25	42	110	85	65	12.7	16	4-M12	4-M12	2	105	150	11	F04/F05	
DN32	32	54	133	100	72	14	18	4-M16	4-M16	2	110	160	11	F04/F05	
DN40	38	61	140	110	85	15.2	18	4-M16	4-M16	3	120	190	14	F05/F07	
DN50	49	75	158	125	102	16.2	18	4-M16	4-M16	3	125	190	14	F05/F07	
DN65	63	97	177	145	116	17	20	4-M16	8-M16	3	140	195	17	F07/F10	
DN80	76	114	193	160	136	19	22	8-M16	8-M16	3	190	300	17	F07/F10	
DN100	96	145	215	180	154	20	24	8-M16	8-M20	3	210	360	19	F07/F10	

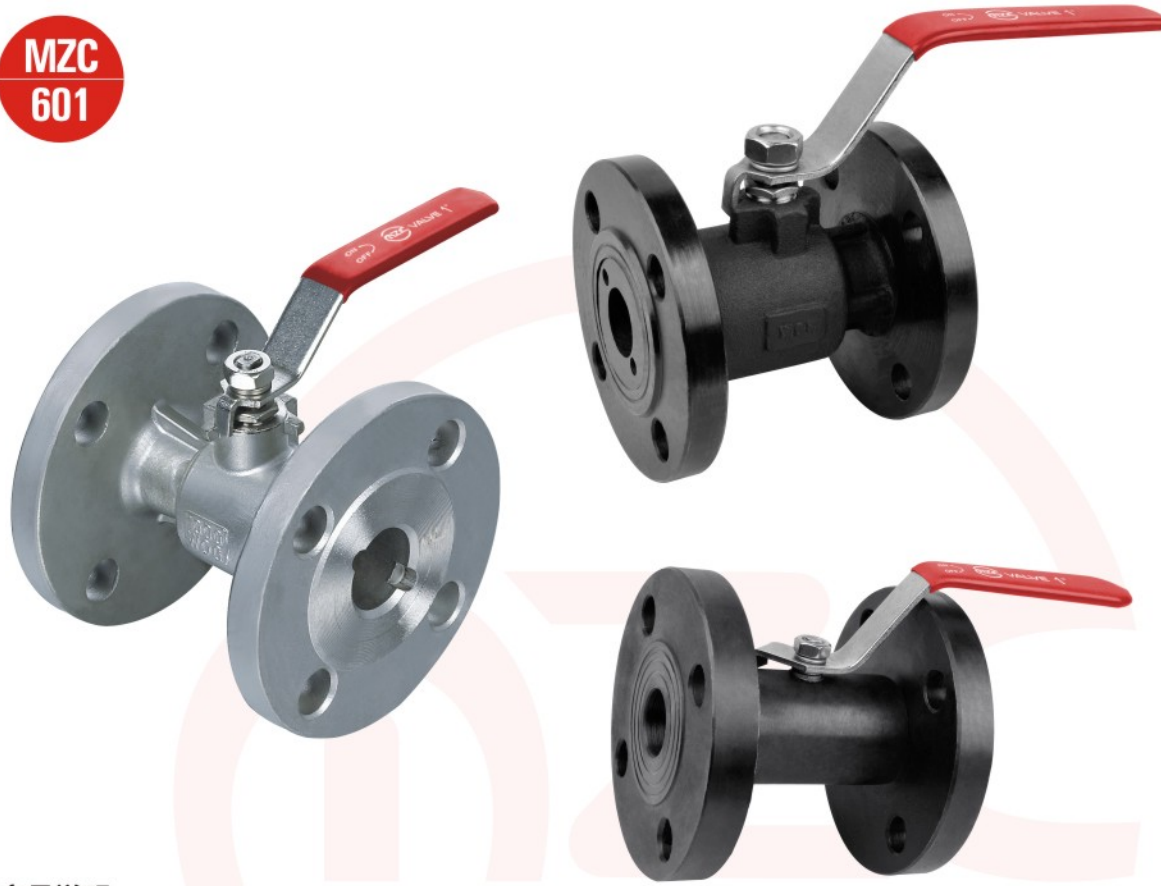
DIN PN16(德标PN16)

Size	d	L	D	D1	D2	b	Z-M	f	H	W	C	ISO5211
DN15	15	35	95	65	45	11	4-M12	2	70	125	9	F03/F04
DN20	20	37	105	75	58	12	4-M12	2	74	125	9	F03/F04
DN25	25	43	115	85	68	12.7	4-M12	2	89	155	11	F04/F05
DN32	32	53	140	100	78	14	4-M16	2	100	155	11	F04/F05
DN40	38	62	150	110	88	16	4-M16	3	120	195	14	F05/F07
DN50	49	76	165	125	102	17	4-M16	3	129	195	14	F05/F07
DN65	63	93	185	145	122	18	4-M16	3	143	250	17	F07/F10
DN80	76	110	200	160	138	20	8-M16	3	160	270	17	F07/F10
DN100	96	133	220	180	158	21	8-M16	3	160	280	19	F07/F10

1PC FLANGED END BALL VALVE

一体式法兰球阀

MZC
601



产品说明

- 精密铸造阀体
- 防脱出阀杆
- 缩径设计
- 带锁手柄可选配

标准

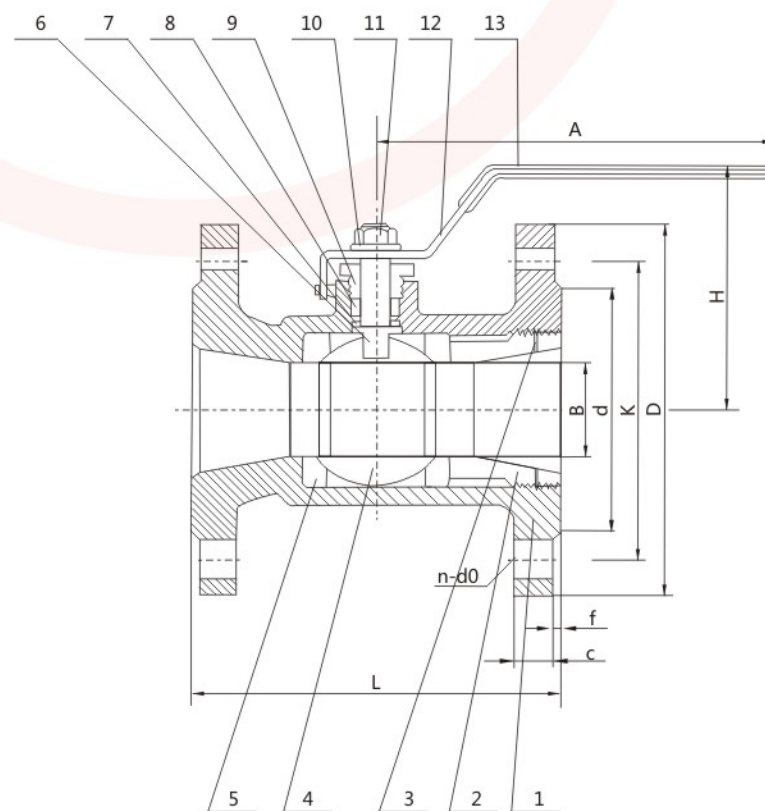
- 设计标准：ASME B16.34
- 检测标准：API598

PRODUCT DESCRIPTION:

Investment Casting Body
Blow-Out Proof Stem
Reduce Port
Locking Device Handle Available

STANDARD:

Design Acc: ASME B16.34
Inspection & Testing Acc: API 598



1PC FLANGED END BALL VALVE

一体式法兰球阀

ITEM	PART 零配件	MATERIAL 材质
1	Body 阀体	CF8M CF8 WCB
2	Cap 阀盖	CF8M CF8 WCB
3	Body Gasket 密封圈	PTFE
4	Ball 球体	316 304 304
5	Ball Seat 阀座	CF8M CF8 WCB
6	Stem 阀杆	316 304 304
7	Thrust Washer 止推垫片	PTFE
8	Stem Packing 填料	PTFE
9	Gland Nut 压盖	304
10	Spring Washer 弹簧垫圈	304
11	Nut 螺母	304
12	Handle 手柄	304
13	Handle Cover 手柄套	Plastic

GB 1.6MPa(国标1.6MPa)

Size	B	L	D	K	d	C	f	H	A	n-d0
1/2"	10	92	95	65	45	14	2	65	125	4-Φ14
3/4"	12.5	106	105	75	55	14	2	75	135	4-Φ14
1"	17	109	115	85	65	16	2	87	135	4-Φ14
1-1/4"	22	126	135	100	78	16	3	90	147	4-Φ18
1-1/2"	25	136	145	110	85	16	3	95	180	4-Φ18
2"	32	154	160	125	100	18	3	110	180	4-Φ18
2-1/2"	44	170	180	145	120	20	3	120	200	8-Φ18
3"	50	195	195	160	135	22	3	130	200	8-Φ18
4"	65	215	215	180	155	22	3	150	240	8-Φ18

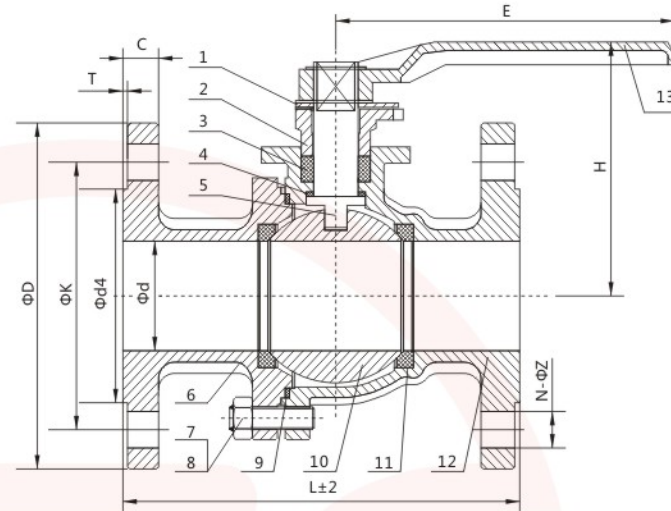
ANSI 150LB(美标150磅)

Size	B	L	D	K	d	C	f	H	A	n-d0
1/2"	12	108	89	60.5	35	11.2	1.6	49	110	4-Φ14
3/4"	15	117	98	70	43	11.2	1.6	54	110	4-Φ14
1"	20	127	108	79.5	51	12	1.6	64	160	4-Φ14
1-1/4"	25	140	117	89	64	12.7	1.6	71	160	4-Φ18
1-1/2"	32	165	127	98.5	73	14.3	1.6	75	185	4-Φ18
2"	38	178	152	120.5	92	15.9	1.6	85	185	4-Φ18
2-1/2"	50	190	178	139.5	105	17.5	1.6	100	250	4-Φ18
3"	65	203	190.5	152.5	127	19.1	1.6	110	250	8-Φ18
4"	80	229	229	190.5	157	23.9	1.6	130	310	8-Φ18

2PC FLANGED END BALL VALVE, FULL PORT, ISO 5211 MOUNTING PAD

二片式法兰球阀，全口径，低平台

MZC
602



产品说明

- 精密铸造阀体
- 防脱出阀杆
- 全口径设计
- 带锁手柄可选配
- 工作压力：
150LB/PN16/JIS 10K

标准

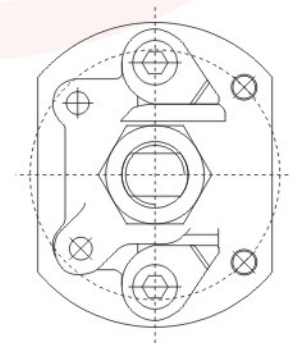
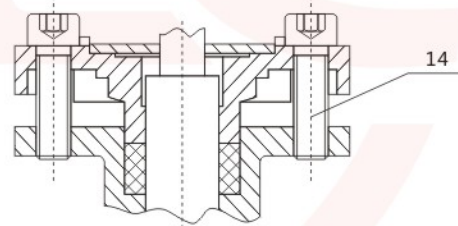
- 设计标准：ASME B16.34
- 防火设计：API 607
- 检测标准：API 598
- 结构长度标准：ANSI B16.10/JIS B2002/DIN PN16-40
- 法兰标准：ASME 16.5/JIS B2220/DIN 2633-DIN 2635

PRODUCT DESCRIPTION:

Investment Casting Body
Blow-Out Proof Stem
Full Port
Locking Device Handle Available
Working Pressure: 150LB/PN16/JIS 10K

STANDARD:

Design Acc: ASME B16.34
Fire-Safety Design Available Acc: API 607
Inspection&Testing Acc: API 598
Face to Face Acc: ANSI B16.10/JIS B2002/DIN PN16-40
Flange Acc: ASME 16.5/JIS B2220/DIN 2633-DIN 2635



2PC FLANGED END BALL VALVE, FULL PORT, ISO 5211 MOUNTING PAD

二片式法兰球阀，全口径，低平台

ITEM	PART 零配件		MATERIAL 材质		
			CF8M	CF8	WCB
1	Location Patch	定位片	304		
2	Gland Nut	压盖	CF8M	CF8	WCB
3	Stem Packing	填料	PTFE		
4	Thrust Washer	止推垫片	PTFE		
5	Stem	阀杆	316	304	304
6	Cap	阀盖	CF8M	CF8	WCB
7	Nut	螺母	304		
8	Bolt	螺栓	304		
9	Gasket	密封圈	PTFE		
10	Ball	球体	316	304	304
11	Ball Seat	阀座	PTFE/RPTFE		
12	Body	阀体	CF8M	CF8	WCB
13	Handle	手柄	304		
14	Screws Bolt	螺栓	304		

ANSI 150LB(美标150磅)

Size	d	L	d4	K	D	C	T	N-Z	H	E
1/2"	15	108	34.9	60.3	89	11.2	1.6	4-Φ16	74	120
3/4"	20	117	42.9	69.9	98	11.2	1.6	4-Φ16	79	120
1"	25	127	50.8	79.4	108	12	1.6	4-Φ16	88	145
1-1/4"	32	140	63.5	88.9	117	12.7	1.6	4-Φ16	100	145
1-1/2"	38	165	73	98.4	127	14.3	1.6	4-Φ16	113	160
2"	49	178	92.1	120.7	152	15.9	1.6	4-Φ19	121	170
2-1/2"	65	190	104.8	139.7	178	17.5	1.6	4-Φ19	134	230
3"	78	203	127	152.4	190.5	19.1	1.6	4-Φ19	141	260
4"	100	229	157.2	190.5	229	23.9	1.6	8-Φ19	153	300

DIN2633 PN16(德标PN16)

Size	d	L	d4	K	D	C	T	N-Z	H	E
DN15	15	115	45	65	95	14	2	4-Φ14	74	120
DN20	20	120	58	75	105	16	2	4-Φ14	79	120
DN25	25	125	68	85	115	16	2	4-Φ14	88	145
DN32	32	130	78	100	140	16	2	4-Φ18	100	145
DN40	38	140	88	110	150	16	3	4-Φ18	113	160
DN50	49	150	102	125	165	18	3	4-Φ18	121	170
DN65	65	170	122	145	185	18	3	4-Φ18	134	230
DN80	78	180	138	160	200	20	3	8-Φ18	141	260
DN100	100	190	158	180	220	20	3	8-Φ18	153	300

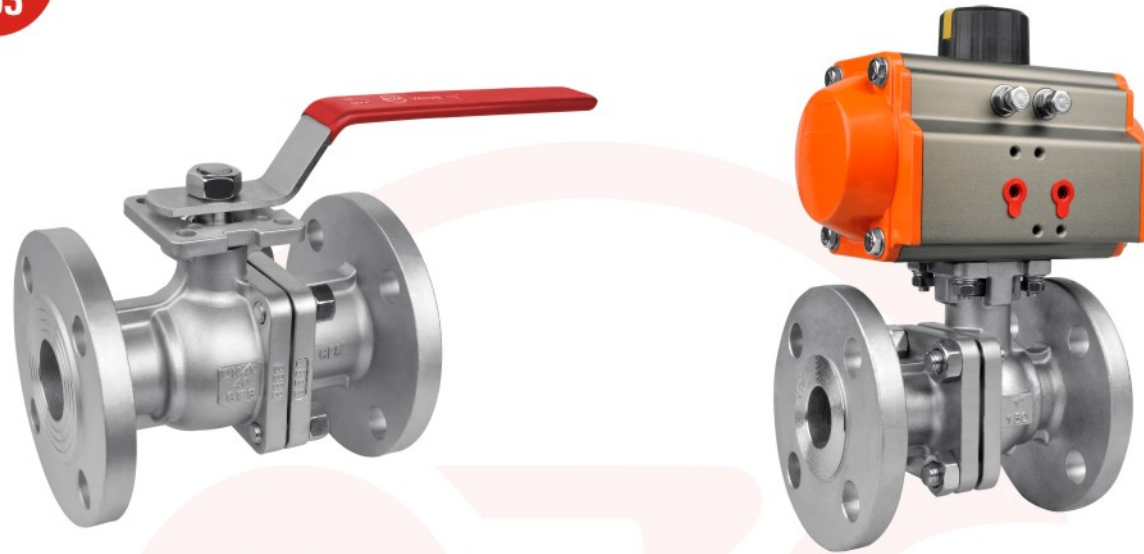
JIS 10K(日标10K)

Size	d	L	d4	K	D	C	T	N-Z	H	E
DN15	15	110	51	70	95	12	1	4-Φ15	74	120
DN20	20	120	56	75	100	14	1	4-Φ15	79	120
DN25	25	130	67	90	125	14	1	4-Φ19	88	145
DN32	32	140	76	100	135	16	2	4-Φ19	100	145
DN40	38	165	81	105	140	16	2	4-Φ19	113	160
DN50	49	180	96	120	155	16	2	4-Φ19	121	170
DN65	65	190	116	140	175	18	2	4-Φ19	134	230
DN80	78	200	126	150	185	18	2	8-Φ19	141	260
DN100	100	230	151	175	210	18	2	8-Φ19	153	300

2PC FLANGED END BALL VALVE, FULL PORT, ISO 5211 DIRECT MOUNTING PAD

二片式高平台法兰球阀

MZC
603



产品说明

- 精密铸造阀体
- 防脱出阀杆
- 全通径设计
- 直装平台设计
- 带锁手柄可选配
- 工作压力：150LB/PN16

标准

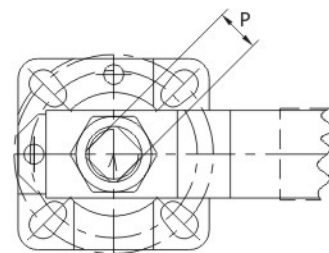
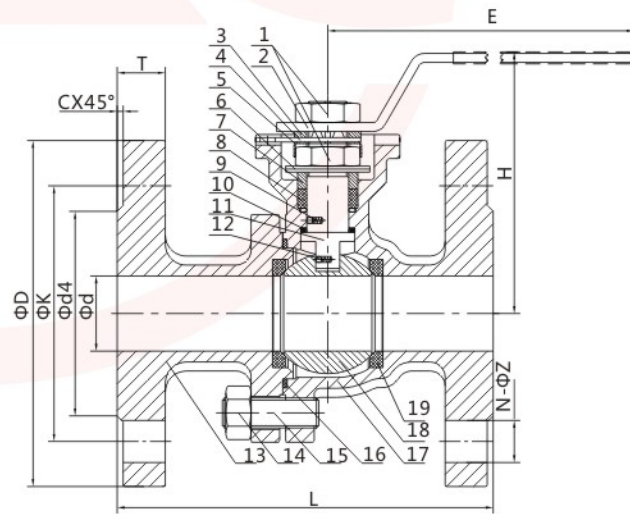
- 设计标准：ASME B16.34
- 防火设计：API 607
- 检测标准：API 598
- 结构长度标准：ANSI B16.10/DIN PN16-40
- 法兰标准：ASME 16.5/DIN 2633-DIN 2635

PRODUCT DESCRIPTION:

Investment Casting Body
Blow-Out Proof Stem
Full Port
ISO 5211 Direct Mounting Pad
Locking Device Handle Available
Working Pressure: 150LB/PN16

STANDARD:

Design Acc: ASME B16.34
Fire-Safety Design Available Acc: API 607
Inspection&Testing Acc: API 598
Face to Face Acc: ANSI B16.10/DIN PN16-40
Flange Acc: ASME 16.5/DIN 2633-DIN 2635



2PC FLANGED END BALL VALVE, FULL PORT, ISO 5211 DIRECT MOUNTING PAD

二片式高平台法兰球阀

ITEM	PART 零配件		MATERIAL 材质		
1	Nut	螺母	304		
2	Handle	手柄	304		
3	Square Washer	垫片	304		
4	Location Patch	定位片	304		
5	Stop Nut	止动垫圈	304		
6	Belleville Washer	蝶簧	301		
7	Gland Nut	压盖	304		
8	Stem Packing	填料	PTFE		
9	O-Ring	O型圈	VITON		
10	Thrust Washer	止推垫片	PTFE		
11	Stem	阀杆	316	304	304
12	Anti static device	防静电装置	304		
13	Cap	阀盖	CF8M	CF8	WCB
14	Nut	螺母	304		
15	Bolt	螺栓	304		
16	Body Gasket	密封圈	PTFE		
17	Body	阀体	CF8M	CF8	WCB
18	Ball	球体	316	304	304
19	Ball Seat	阀座	PTFE/RPTFE		

ANSI 150LB(美标150磅)

Size	d	L	d4	K	D	C	T	N-Z	H	E	P	ISO5211
DN15	15	108	34.9	60.3	89	1.6	11.2	4-Φ16	74	120	9	F03/F04
DN20	20	117	42.9	69.9	98	1.6	11.2	4-Φ16	79	120	9	F03/F04
DN25	25	127	50.8	79.4	108	1.6	12	4-Φ16	88	145	11	F04/F05
DN32	32	140	63.5	88.9	117	1.6	12.7	4-Φ16	100	145	11	F04/F05
DN40	38	165	73	98.4	127	1.6	14.3	4-Φ16	113	160	14	F05/F07
DN50	49	178	92.1	120.7	152	1.6	15.9	4-Φ19	121	170	14	F05/F07
DN65	65	190	104.8	139.7	178	1.6	17.5	4-Φ19	134	230	17	F07/F10
DN80	78	203	127	152.4	190.5	1.6	19.1	4-Φ19	141	260	17	F07/F10
DN100	100	229	157.2	190.5	229	1.6	23.9	8-Φ19	153	300	19	F07/F10

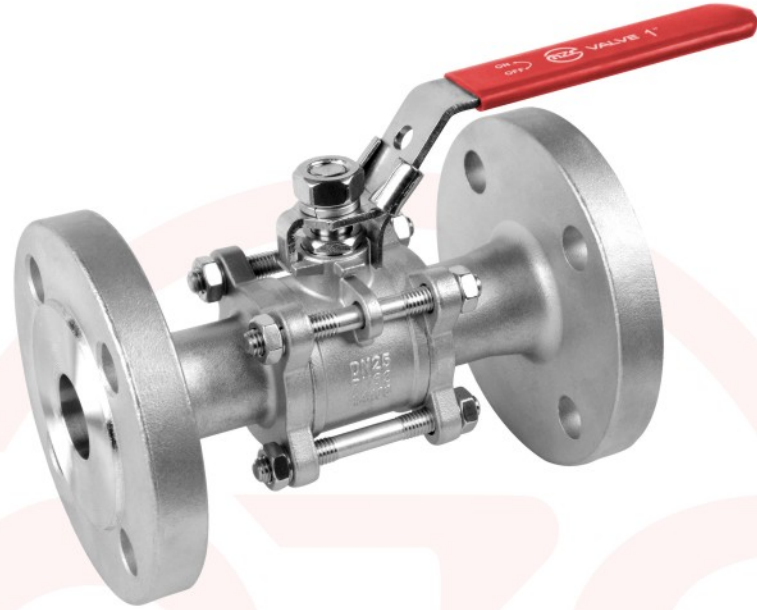
DIN2633 PN16(德标 PN16)

Size	d	L	d4	K	D	C	T	N-Z	H	E	P	ISO5211
DN15	15	115	45	65	95	2	14	4-Φ14	74	120	9	F03/F04
DN20	20	120	58	75	105	2	16	4-Φ14	79	120	9	F03/F04
DN25	25	125	68	85	115	2	16	4-Φ14	88	145	11	F04/F05
DN32	32	130	78	100	140	2	16	4-Φ18	100	145	11	F04/F05
DN40	38	140	88	110	150	3	16	4-Φ18	113	160	14	F05/F07
DN50	49	150	102	125	165	3	18	4-Φ18	121	170	14	F05/F07
DN65	65	170	122	145	185	3	18	4-Φ18	134	230	17	F07/F10
DN80	78	180	138	160	200	3	20	8-Φ18	141	260	17	F07/F10
DN100	100	190	158	180	220	3	20	8-Φ18	153	300	19	F07/F10

3PC FLANGED END BALL VALVE, FULL PORT

三片式法兰球阀

MZC
604



产品说明

- 精密铸造阀体
- 防脱出阀杆
- 全通径设计
- 带锁手柄可选配
- 工作压力：150LB/PN16-PN40

标准

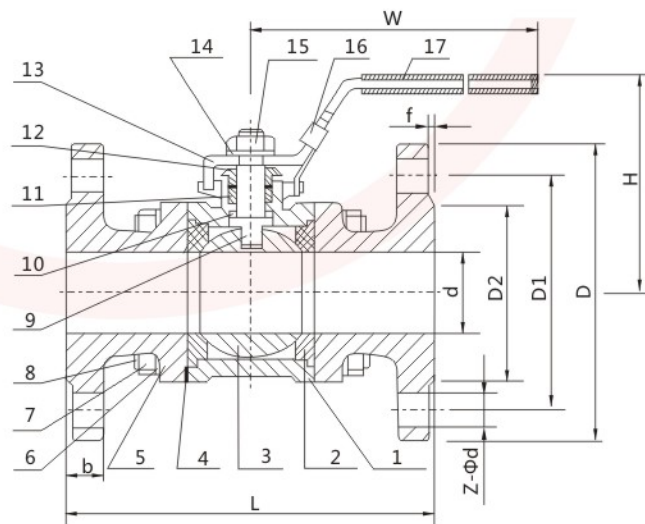
- 设计标准：ASME B16.34
- 防火设计：API 607
- 结构长度标准：ANSI B16.10/DIN PN16-40
- 法兰标准：ASME 16.5/DIN 2633-DIN 2635
- 检测标准：API 598

PRODUCT DESCRIPTION:

Investment Casting Body
Blow-Out Proof Stem
Full Port
Locking Device Handle Available
Working Pressure: 150LB/PN16-PN40

STANDARD:

Design Acc: ASME B16.34
Fire-Safety Design Available Acc: API 607
Face to Face Acc: ANSI B16.10/DIN PN16-40
Flange Acc: ASME 16.5/DIN 2633-DIN 2635
Inspection&Testing Acc: API 598



3PC FLANGED END BALL VALVE, FULL PORT

三片式法兰球阀

ITEM	PART 零配件		MATERIAL 材质		
			CF8M	CF8	WCB
1	Body	阀体	CF8M	CF8	WCB
2	Ball Seat	阀座	PTFE/RPTFE		
3	Ball	球体	316	304	304
4	Body Gasket	密封圈	PTFE		
5	Cap	阀盖	CF8M	CF8	WCB
6	Sping Washer	弹簧垫圈	304		
7	Nut	螺母	304		
8	Bolt	螺栓	304		
9	Stem	阀杆	316	304	304
10	Thrust Washer	止推垫片	PTFE		
11	Stem Packing	填料	PTFE		
12	Gland Nut	压盖	304		
13	Handle	手柄	304		
14	Sping Washer	弹簧垫圈	304		
15	Nut	螺母	304		
16	Locking Device	锁装置	301		
17	Handle Cover	手柄套	Plastic		

DIN2635 PN40(德标PN40)

Size	d	L	D2	D1	D	b	f	Z-Φd	H	W
DN15	15	130	45	65	95	16	2	4-Φ14	59	115
DN20	20	150	58	75	105	18	2	4-Φ14	67	125
DN25	25	160	68	85	115	18	2	4-Φ14	74	150
DN32	32	180	78	100	140	18	2	4-Φ18	82	160
DN40	38	200	88	110	150	18	3	4-Φ18	99	190
DN50	49	230	102	125	165	20	3	4-Φ18	105	200
DN65	65	290	122	145	185	22	3	8-Φ18	120	265
DN80	78	310	138	160	200	24	3	8-Φ18	135	300
DN100	100	350	162	190	235	24	3	8-Φ22	157	300

ANSI 150LB(美标150磅)

Size	d	L	D2	D1	D	b	f	Z-Φd	H	W
DN15	15	108	34.9	60.3	89	11.2	1.6	4-Φ16	59	115
DN20	20	117	42.9	69.9	98	11.2	1.6	4-Φ16	67	125
DN25	25	127	50.8	79.4	108	12	1.6	4-Φ16	74	150
DN32	32	140	63.5	88.9	117	12.7	1.6	4-Φ16	82	160
DN40	38	165	73	98.4	127	14.3	1.6	4-Φ16	99	190
DN50	49	178	92.1	120.7	152	15.9	1.6	4-Φ19	105	200
DN65	65	190	104.8	139.7	178	17.5	1.6	4-Φ19	120	265
DN80	78	203	127	152.4	190.5	19.1	1.6	4-Φ19	135	300
DN100	100	229	157.2	190.5	229	23.9	1.6	8-Φ19	157	300

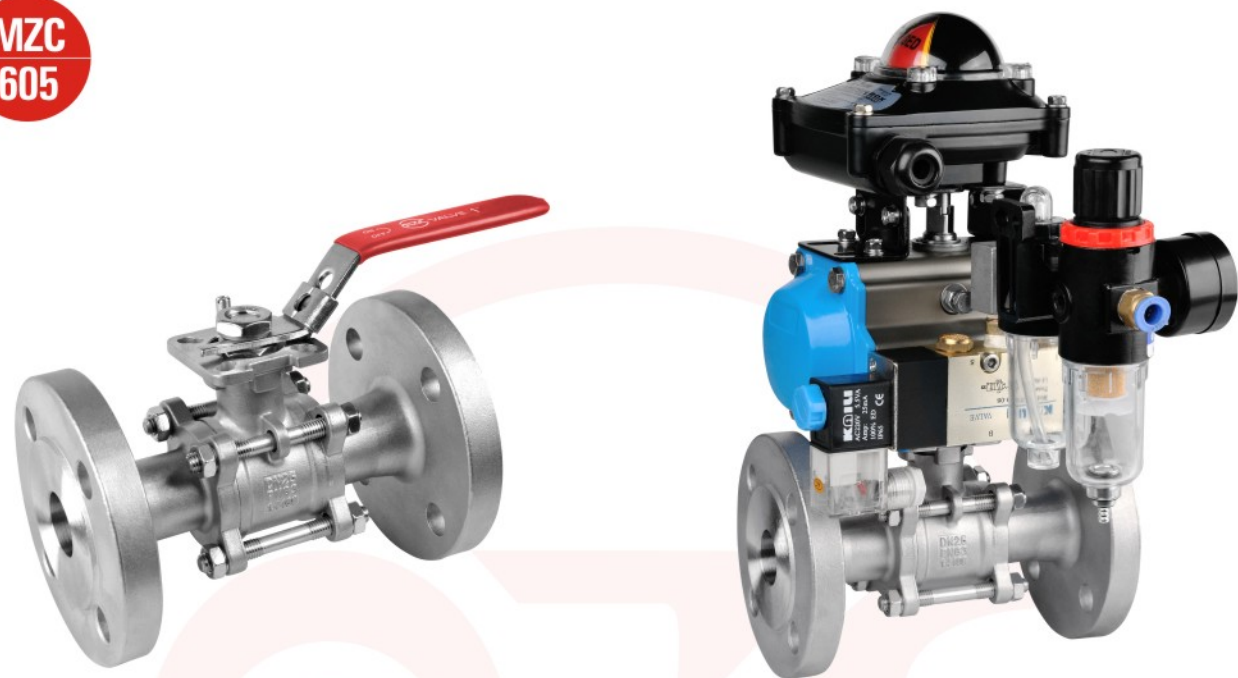
3PC FLANGED END BALL VALVE, FULL PORT, ISO 5211 DIRECT MOUNTING PAD

三片式法兰球阀，全口径，高平台

3PC FLANGED END BALL VALVE, FULL PORT, ISO 5211 DIRECT MOUNTING PAD

三片式法兰球阀，全口径，高平台

MZC
605



产品说明

- 精密铸造阀体
- 防脱出阀杆
- 全口径设计
- 直装平台设计
- 带锁手柄可选配
- 工作压力：150LB/PN16-PN40

标准

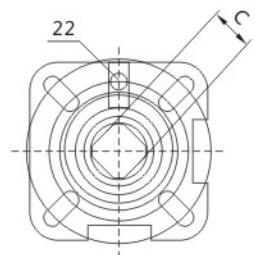
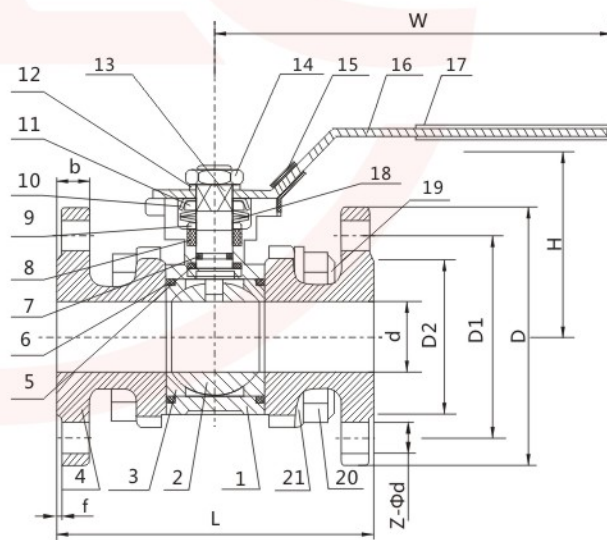
- 设计标准：ASME B16.34
- 防火设计：API 607
- 结构长度标准：ANSI B16.10/DIN PN16-40
- 法兰标准：ASME 16.5/DIN 2633-DIN 2635
- 检测标准：API 598

PRODUCT DESCRIPTION:

Investment Casting Body
Blow-Out Proof Stem
Full Port
ISO 5211 Direct Mounting Pad
Locking Device Handle Available
Working Pressure: 150LB/PN16-PN40

STANDARD:

Design Acc: ASME B16.34
Fire-Safety Design Available Acc: API 607
Face to Face Acc: ANSI B16.10/DIN PN16-40
Flange Acc: ASME 16.5/DIN 2633-DIN 2635
Inspection&Testing Acc: API 598



ISO5211

ITEM	PART 零配件		MATERIAL 材质		
1	Body	阀体	CF8M	CF8	WCB
2	Ball	球体	316	304	304
3	Ball Seat	阀座	PTFE/RPTFE		
4	Cap	阀盖	CF8M	CF8	WCB
5	Thrust Washer	止推垫片	PTFE		
6	Body Gasket	密封圈	PTFE		
7	O-Ring	O型圈	VITON		
8	Stem Packing	填料	PTFE		
9	Gland Nut	压盖	304		
10	Stop Nut	止动垫圈	304		
11	Nut	螺母	304		
12	Sping Washer	弹簧垫圈	304		
13	Stem	阀杆	316	304	304
14	Nut	螺母	304		
15	Locking Device	锁装置	301		
16	Handle	手柄	304		
17	Handle Cover	手柄套	Plastic		
18	Belleveille Washer	蝶簧	301		
19	Bolt	螺栓	304		
20	Nut	螺母	304		
21	Sping Washer	弹簧垫圈	304		
22	Location Pin	定位插销	304		

DIN2635 PN40(德标PN40)

Size	d	L	D2	D1	D	b	f	C	Z-Φd	H	W	ISO5211
DN15	15	130	45	65	95	16	2	9	4-Φ14	60	125	F03/F04
DN20	20	150	58	75	105	18	2	9	4-Φ14	64	125	F03/F04
DN25	25	160	68	85	115	18	2	11	4-Φ14	80	155	F04/F05
DN32	32	180	78	100	140	18	2	11	4-Φ18	84	155	F04/F05
DN40	38	200	88	110	150	18	3	14	4-Φ18	106	195	F05/F07
DN50	49	230	102	125	165	20	3	14	4-Φ18	115	195	F05/F07
DN65	65	290	122	145	185	22	3	17	8-Φ18	136	245	F07/F10
DN80	78	310	138	160	200	24	3	17	8-Φ18	147	245	F07/F10
DN100	100	350	162	190	235	24	3	19	8-Φ22	165	300	F07/F10

ANSI 150LB(美标150磅)

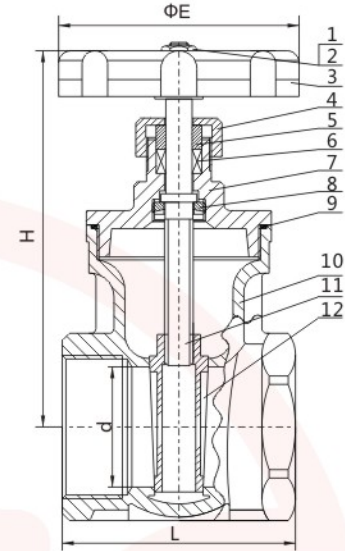
Size	d	L	D2	D1	D	b	f	C	Z-Φd	H	W	ISO5211
DN15	15	108	34.9	60.3	89	11.2	1.6	9	4-Φ16	60	125	F03/F04
DN20	20	117	42.9	69.9	98	11.2	1.6	9	4-Φ16	64	125	F03/F04
DN25	25	127	50.8	79.4	108	12	1.6	11	4-Φ16	80	155	F04/F05
DN32	32	140	63.5	88.9	117	12.7	1.6	11	4-Φ16	84	155	F04/F05
DN40	38	165	73	98.4	127	14.3	1.6	14	4-Φ16	106	195	F05/F07
DN50	49	178	92.1	120.7	152	15.9	1.6	14	4-Φ19	115	195	F05/F07
DN65	65	190	104.8	139.7	178	17.5	1.6	17	4-Φ19	136	245	F07/F10
DN80	78	203	127	152.4	190.5	19.1	1.6	17	4-Φ19	147	245	F07/F10
DN100	100	229	157.2	190.5	229	23.9	1.6	19	8-Φ19	165	300	F07/F10



GATE VALVE SCREW ENDS 200WOG

螺纹闸阀 200WOG

**MZC
G01**



产品说明

- 精密铸造阀体
- 金属密封
- 手轮操作
- 各种标准螺纹：
NPT/BSPP/BSPT/PT
- 工作压力：200PSI/PN16

标准

- 设计标准：ASME B16.34
- 螺纹标准：ANSI B1.20.1
BS 21/2799
DIN 259/2999
ISO 228
- 检测标准：API598

PRODUCT DESCRIPTION:

Investment Casting Body
Metal to Metal Sealing
Wheel Handle Operation

Threads Types: NPT/BSPP/BSPT/PT

Working Pressure: 200PSI/PN16

STANDARD:

Design Acc: ASME B16.34
Threads Acc: ANSI B1.20.1
BS 21/2799
DIN 259/2999
ISO 228

Inspection&Testing Acc: API 598

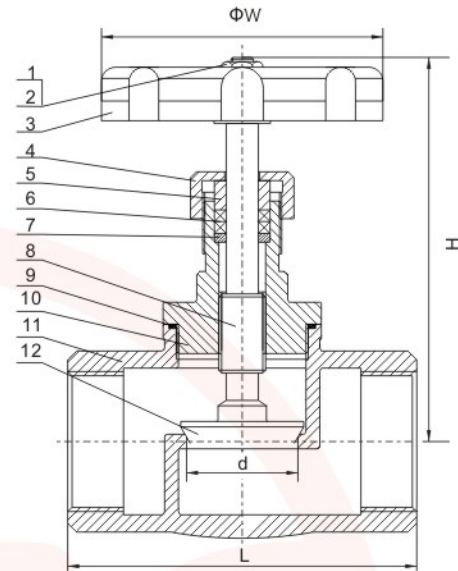
ITEM	PART 零配件		MATERIAL 材质	
1	Nut	螺母	304	
2	Washer	垫片	304	
3	Handle Wheel	手轮	Aluminium	
4	Stop Cap	紧固盖	CF8M	CF8
5	Gland	压盖	304	
6	Stem Packing	填料	PTFE	
7	Bonnet	阀盖	CF8M	CF8
8	Gland	压盖	304	
9	Gasket	密封圈	PTFE	
10	Body	阀体	CF8M	CF8
11	Stem	阀杆	304	316
12	Disc	阀芯	CF8M	CF8

SIZE	d	L	H	ΦE
1/2"	15	55.5	96	64
3/4"	20	61	104	64
1"	25	65.5	118	73
1-1/4"	32	72	128	77
1-1/2"	40	79.5	147	99
2"	50	89	162	99
2-1/2"	65	107.5	207	127

GLOBE VALVE SCREW ENDS 200WOG

螺纹截止阀 200WOG

MZC
G02



产品说明

- 精密铸造阀体
- 金属密封
- 手轮操作
- 各种标准螺纹：
NPT/BSPP/BSPT/PT
- 工作压力：200PSI/PN16

标准

- 设计标准：ASME B16.34
- 螺纹标准：ANSI B1.20.1
BS 21/2799
DIN 259/2999
ISO 228
- 检测标准：API598

PRODUCT DESCRIPTION:

Investment Casting Body
Metal to Metal Sealing
Wheel Handle Operation
Threads Types: NPT/BSPP/BSPT/PT
Working Pressure: 200PSI/PN16

STANDARD:

Design Acc: ASME B16.34
Threads Acc: ANSI B1.20.1
BS 21/2799
DIN 259/2999
ISO 228
Inspection&Testing Acc: API 598

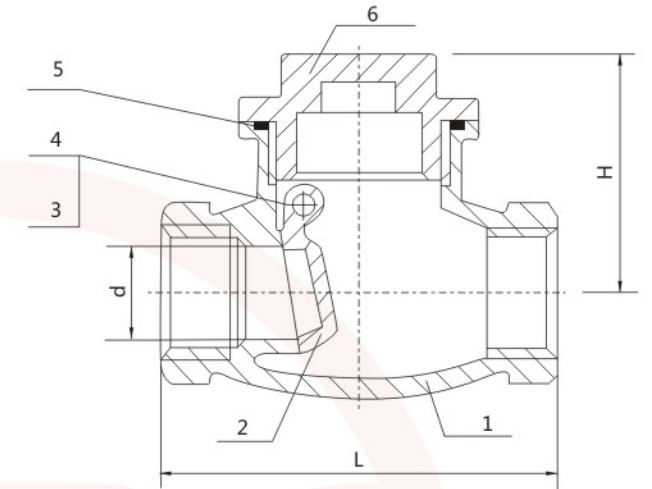
ITEM	PART 零配件	MATERIAL 材质
1	Nut 螺母	304
2	Washer 垫片	304
3	Handle Wheel 手轮	Aluminium
4	Stop Cap 紧固盖	CF8M CF8
5	Gland 压盖	304
6	Stem Packing 填料	PTFE
7	Washer 垫圈	304
8	Stem 阀杆	316 304
9	Gasket 密封圈	PTFE
10	Bonnet 阀盖	CF8M CF8
11	Body 阀体	CF8M CF8
12	Disc 阀芯	CF8M CF8

SIZE	d	L	H	ΦE
1/2"	15	69	90	64
3/4"	20	80	95	72
1"	25	87	105	77
1-1/4"	32	104	123	98
1-1/2"	40	119	135	98
2"	50	138	139	108
2-1/2"	65	165	127	108

SWING CHECK VALVE SCREW ENDS 200WOG

旋启式止回阀 200WOG

MZC
C01



产品说明

- 精密铸造阀体
- 工作压力：200PSI/PN16
- 各种标准螺纹：NPT/BSPP/BSPT/PT

标准

- 设计标准：ASME B16.34
- 螺纹标准：ANSI B1.20.1
BS 21/2799
DIN 259/2999
ISO 228
- 检测标准：API598

PRODUCT DESCRIPTION:

Investment Casting Body
Working Pressure: 200PSI/PN16
Threads Types: NPT/BSPP/BSPT/PT

STANDARD:

Design Acc: ASME B16.34
Threads Acc: ANSI B1.20.1
BS 21/2799
DIN 259/2999
ISO 228
Inspection&Testing Acc: API 598

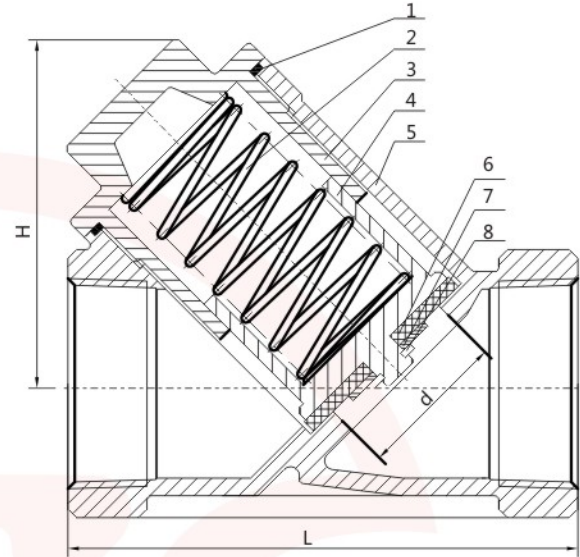
ITEM	PART 零配件	MATERIAL 材质
1	Body 阀体	CF8M CF8
2	Disc 阀芯	CF8M CF8
3	Pin 销轴	304
4	Gasket 密封圈	PTFE
5	Gasket 密封圈	PTFE
6	Cap 阀盖	CF8M CF8

SIZE	d	L	H
1/2"	14	62	37.5
3/4"	18.5	78	45.5
1"	24	84	47
1-1/4"	30	100	52.5
1-1/2"	37.5	115	60.5
2"	46.5	135	70
2-1/2"	63	166	94.5

Y-TYPE SPRING LOADED CHECK VALVE, SCREW ENDS 800WOG

Y型弹簧止回阀 800WOG

MZC
C02



产品说明

- 精密铸造阀体
- 工作压力：800PSI
- 各种标准螺纹：NPT/BSPP/BSPT/PT

标准

- 设计标准：ASME B16.34
- 螺纹标准：ANSI B1.20.1
BS 21/2799
DIN 259/2999
ISO 228
- 检测标准：API598

ITEM	PART 零配件		MATERIAL 材质	
1	Gasket	密封圈	PTFE	
2	Sping	弹簧	316	304
3	Cap	阀盖	CF8M	CF8
4	Spring Seat	弹簧座	316	304
5	Body	阀体	CF8M	CF8
6	Gasket	密封圈	PTFE	
7	Washer	垫片	316	304
8	Nut	紧固螺母	316	304

PRODUCT DESCRIPTION:

Investment Casting Body
Working Pressure: 800PSI
Threads Types: NPT/BSPP/BSPT/PT

STANDARD:

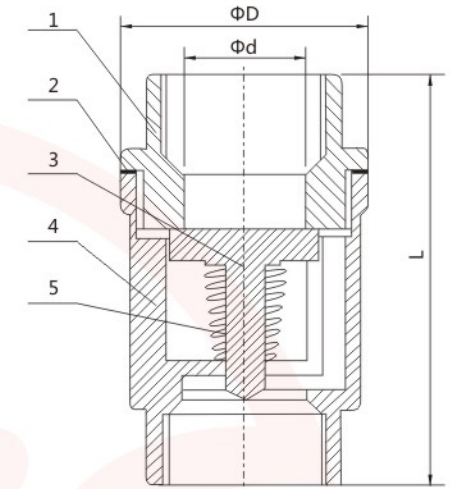
Design Acc: ASME B16.34
Threads Acc: ANSI B1.20.1
 BS 21/2799
 DIN 259/2999
 ISO 228
Inspection&Testing Acc: API 598

SIZE	d	L	H
1/2"	15	58.5	40
3/4"	20	79	52
1"	25	90	70
1-1/4"	32	105	75
1-1/2"	40	119	85
2"	50	139	95

VERTICAL SPRING LOADED CHECK VALVE, SCREW ENDS 1000WOG

立式弹簧止回阀 1000WOG

MZC
C03



产品说明

- 精密铸造阀体
- 工作压力：1000PSI
- 各种标准螺纹：NPT/BSPP/BSPT/PT

标准

- 设计标准：ASME B16.34
- 螺纹标准：ANSI B1.20.1
BS 21/2799
DIN 259/2999
ISO 228
- 检测标准：API598

ITEM	PART 零配件		MATERIAL 材质	
1	Cap	阀盖	CF8M	CF8
2	Body Gasket	密封圈	PTFE	
3	Disc	阀芯	CF8M	CF8
4	Body	阀体	CF8M	CF8
5	Spring	弹簧	316	304

PRODUCT DESCRIPTION:

Investment Casting Body
Working Pressure: 1000PSI
Threads Types: NPT/BSPP/BSPT/PT

STANDARD:

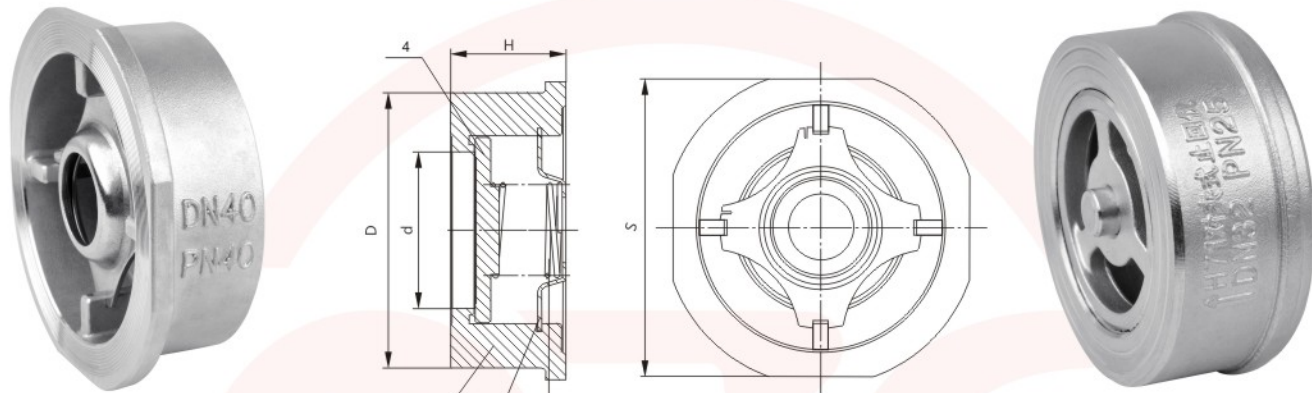
Design Acc: ASME B16.34
Threads Acc: ANSI B1.20.1
 BS 21/2799
 DIN 259/2999
 ISO 228
Inspection&Testing Acc: API 598

SIZE	Φd	L	ΦD
1/2"	15	60	34
3/4"	20	71	39
1"	25	79	46
1-1/4"	32	92	57
1-1/2"	40	105	67
2"	50	119	77

WAFER SPRING LOADED CHECK VALVE, PN40

对夹式止回阀, PN40

MZC
C04



DIN Check Valve
德标止回阀

GB Check Valve
国标止回阀

产品说明

- 精密铸造阀体
- 工作压力: DINPN40/GB 1.6-4.0MPa
- 金属密封

ITEM	PART 零配件	MATERIAL 材质
1	Body 阀体	CF8M / CF8
2	Stop Cap 紧固盖	CF8M / CF8
3	Spring 弹簧	316 / 304
4	Disc 阀瓣	CF8M / CF8

标准

- 设计标准: ASME B16.34
- 检测标准: API598

PRODUCT DESCRIPTION:

Investment Casting Body

Working Pressure: DINPN40/GB 1.6-4.0MPa

Metal to Metal Sealing

Size	d	D	H	S
DN15	15	45	16	45
DN20	20	52.5	19	55
DN25	25	56.5	21.5	65
DN32	32	73	28	79
DN40	38	81	32	88.5
DN50	50	90	40	100
DN65	62	110	46	119
DN80	76	125	50	135
DN100	96	145	60	155

STANDARD:

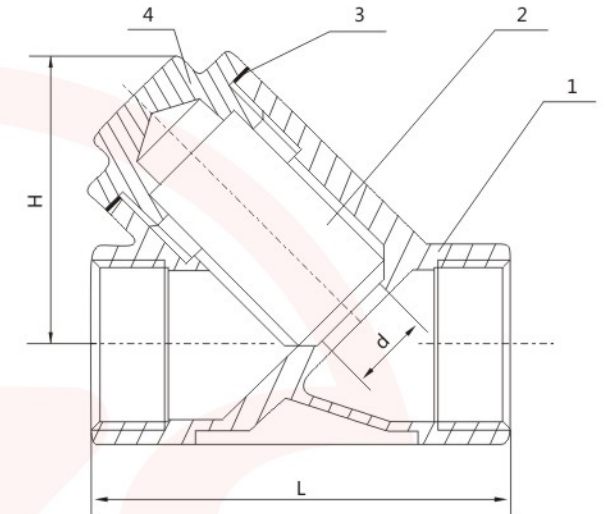
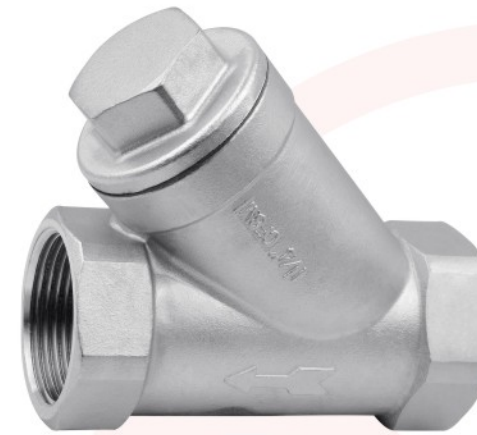
Design Acc: ASME B16.34

Inspection & Testing Acc: API 598

Y-TYPE STRAINER, SCREW ENDS 800WOG

Y型过滤器 800WOG

MZC
S01



产品说明

- 精密铸造阀体
- 工作压力: 800PSI
- 各种标准螺纹: NPT/BSPP/BSPT/PT

ITEM	PART 零配件	MATERIAL 材质
1	Body 阀体	CF8M / CF8
2	Screen 滤网	316 / 304
3	Gasket 密封圈	PTFE
4	Cap 阀盖	CF8M / CF8

标准

- 设计标准: ASME B16.34
- 螺纹标准: ANSI B1.20.1
BS 21/2799
DIN 259/2999
ISO 228
- 检测标准: API598

PRODUCT DESCRIPTION:

Investment Casting Body

Working Pressure: 800PSI

Threads Types: NPT/BSPP/BSPT/PT

STANDARD:

Design Acc: ASME B16.34

Threads Acc: ANSI B1.20.1

BS 21/2799

DIN 259/2999

ISO 228

Inspection & Testing Acc: API 598

SIZE	Φd	L	H
1/2"	15	60	55
3/4"	20	75	68
1"	25	84	78
1-1/4"	32	88	99
1-1/2"	40	108	75
2"	50	126	87

GATE VALVE FLANGE ENDS, 150/300LBS

美标法兰闸阀



产品说明

- 精密铸造阀体
- 金属密封阀座
- 手轮操作
- 铸造手柄
- 工作压力：150/300磅

标准

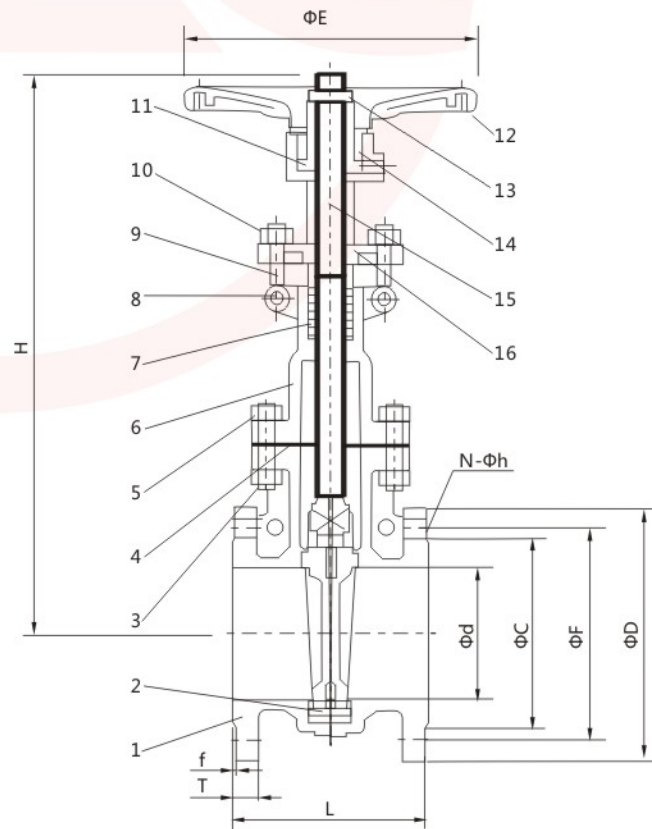
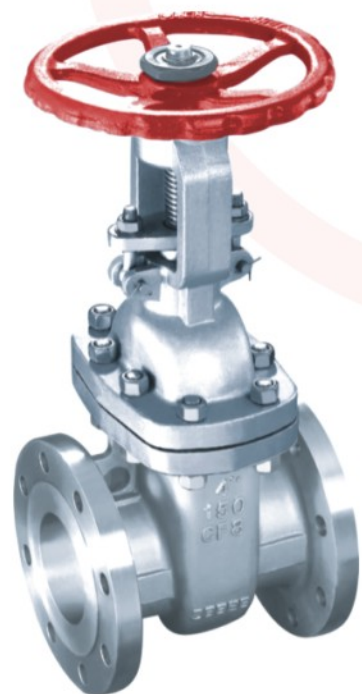
- 设计标准：ASME B16.34
- 法兰标准：ASME B16.5
- 结构长度：ASME B16.10
- 检测标准：API 598

PRODUCT DESCRIPTION:

Investment Casting Body
Metal to Metal Sealing
Wheel Handle
Casting Handle
Working Pressure: 150/300LBS

STANDARD:

Design Acc: ASME B16.34
Flange Acc: ASME B16.5
Face to Face Acc: ASME B16.10
Inspection & Testing Acc: API 598



GATE VALVE FLANGE ENDS, 150/300LBS

美标法兰闸阀

ITEM	PART 零配件		MATERIAL 材质		
1	Body	阀体	CF8M	CF8	WCB
2	Disc	阀瓣	CF8M	CF8	WCB
3	Nut	螺母	A194-8		
4	Gasket	密封圈	304 + Graphite		
5	Bolt	螺栓	A194-8		
6	Bonnet	阀盖	CF8M	CF8	WCB
7	Stem Packing	填料	PTFE		
8	Hanging Pin	挂销	304		
9	Eye Bolt	螺栓	304		
10	Nut	螺母	A193-B8		
11	Sleeve	压套	Brass		
12	Wheel Handle	手轮	FCD		
13	Stem Nut	阀杆螺母	304		
14	Gland	压盖	304		
15	Stem	阀杆	304	304	F6A
16	Gland	压盖	304		

ANSI 150LBS (美标150LBS)

SIZE	Φd	L	ΦC	ΦF	ΦD	T	f	N-Φh	ΦE	H
1/2"	15	108	35	60.5	89	11.2	1.6	4-Φ16	120	155
3/4"	20	117	43	69.9	98	11.2	1.6	4-Φ16	120	160
1"	25	127	51	79.2	108	12	1.6	4-Φ16	140	200
1-1/4"	32	140	63	89	117	12.7	1.6	4-Φ16	160	245
1-1/2"	40	165	73	98.6	127	14.3	1.6	4-Φ16	180	285
2"	50	178	92	120.7	152	15.9	1.6	4-Φ19	200	315
2-1/2"	65	190	105	139.7	178	17.5	1.6	4-Φ19	220	375
3"	80	203	127	152.4	190	19.1	1.6	4-Φ19	240	400
4"	100	229	157	190.5	229	23.9	1.6	8-Φ19	280	460
5"	125	254	186	216	254	23.9	1.6	8-Φ22	300	540
6"	150	267	216	241.5	279	25.4	1.6	8-Φ22	320	620
8"	200	292	270	298.5	343	28.6	1.6	8-Φ22	400	800
10"	250	330	324	362	406	31	1.6	12-Φ25	450	850
12"	300	356	381	431.8	483	32	1.6	12-Φ25	500	1000

ANSI 300LBS (美标300LBS)

SIZE	Φd	L	ΦC	ΦF	ΦD	T	f	N-Φh	ΦE	H
1/2"	15	140	35	66.5	95	14.3	1.6	4-Φ16	120	155
3/4"	20	152	43	82.5	117	15.9	1.6	4-Φ19	120	160
1"	25	165	51	89	123	17.5	1.6	4-Φ19	140	200
1-1/4"	32	178	63	98.5	133	19.1	1.6	4-Φ19	160	250
1-1/2"	40	190	73	114.3	155	20.7	1.6	4-Φ22	180	290
2"	50	216	92	127	165	22.3	1.6	8-Φ19	200	330
2-1/2"	65	241	105	149.4	190	25.4	1.6	8-Φ22	250	385
3"	80	282	127	168.1	210	28.6	1.6	8-Φ22	280	410
4"	100	305	157	200.2	254	31.8	1.6	8-Φ22	300	480
5"	125	381	186	235	279	35	1.6	8-Φ22	350	630
6"	150	403	216	269.7	318	36.6	1.6	12-Φ22	350	690
8"	200	419	270	330.2	381	41.3	1.6	12-Φ25	450	830
10"	250	457	324	387.5	444	48	1.6	16-Φ29	500	1003
12"	300	502	381	450.8	521	51	1.6	16-Φ32	600	1137



产品说明

- 精密铸造阀体
- 金属密封阀座
- 手轮操作
- 铸造手柄
- 工作压力：1.6/2.5MPa

标准

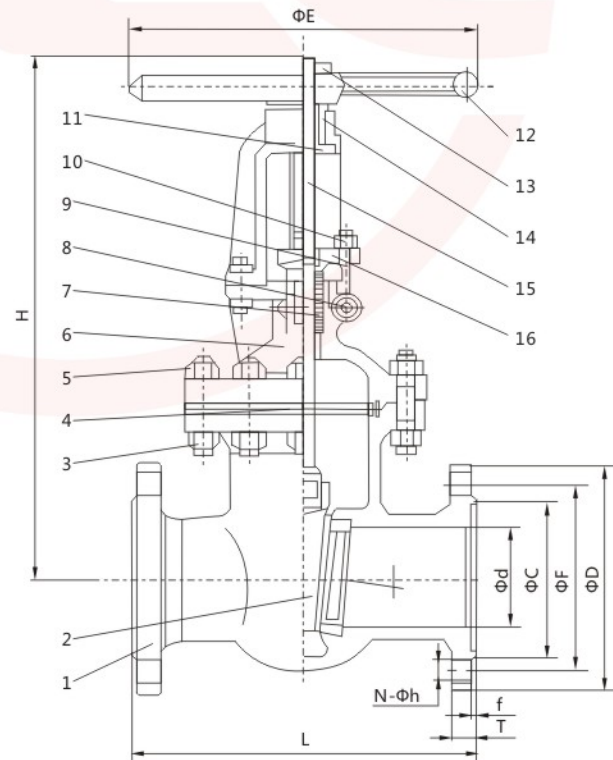
- 设计标准：GB/T12234
- 法兰标准：JB79
- 结构长度：GB/T12221
- 检测标准：JB/T9092

PRODUCT DESCRIPTION:

Investment Casting Body
Metal to Metal Sealing
Wheel Handle
Casting Handle
Working Pressure: 1.6/2.5MPa

STANDARD:

Design Acc: GB/T12234
Flange Acc: JB79
Face to Face Acc: GB/T12221
Inspection&Testing Acc: JB/T9092



ITEM	PART 零配件		MATERIAL 材质		
1	Body	阀体	CF8M	CF8	WCB
2	Disc	阀瓣	CF8M	CF8	WCB
3	Nut	螺母	A194-8		
4	Gasket	密封圈	304 + Graphite		
5	Bolt	螺栓	A194-8		
6	Bonnet	阀盖	CF8M	CF8	WCB
7	Stem Packing	填料	PTFE		
8	Hanging Pin	挂销	304		
9	Eye Bolt	螺栓	304		
10	Nut	螺母	A193-B8		
11	Sleeve	压套	Brass		
12	Wheel Handle	手轮	FCD		
13	Stem Nut	阀杆螺母	304		
14	Gland	压盖	304		
15	Stem	阀杆	304	304	F6A
16	Gland	压盖	304		

GB 1.6MPa (国标1.6MPa)

SIZE	Φd	L	ΦC	ΦF	ΦD	T	f	N-Φh	ΦE	H
1/2"	15	130	95	65	45	14	2	4-Φ14	120	170
3/4"	20	150	105	75	55	14	2	4-Φ14	120	200
1"	25	160	115	85	65	14	2	4-Φ14	140	215
1-1/4"	32	180	135	100	78	16	2	4-Φ18	160	260
1-1/2"	40	200	145	110	85	16	3	4-Φ18	200	290
2"	50	250	160	125	100	16	3	4-Φ18	220	345
2-1/2"	65	265	180	145	120	18	3	4-Φ18	240	360
3"	80	280	195	160	135	20	3	8-Φ18	280	385
4"	100	300	215	180	155	20	3	8-Φ18	300	430
5"	125	325	245	210	185	22	3	8-Φ18	320	520
6"	150	350	280	240	210	24	3	8-Φ23	350	610
8"	200	400	335	295	265	26	3	12-Φ23	400	765
10"	250	450	405	355	320	30	3	12-Φ25	450	895
12"	300	500	460	410	375	30	4	12-Φ25	500	1145

GB 2.5MPa (国标2.5MPa)

SIZE	Φd	L	ΦC	ΦF	ΦD	T	f	N-Φh	ΦE	H
1/2"	15	130	95	65	45	16	2	4-Φ14	120	170
3/4"	20	150	105	75	55	16	2	4-Φ14	120	200
1"	25	160	115	85	65	16	2	4-Φ14	140	215
1-1/4"	32	180	135	100	78	18	2	4-Φ18	160	260
1-1/2"	40	200	145	110	85	18	3	4-Φ18	200	290
2"	50	250	160	125	100	20	3	4-Φ18	220	345
2-1/2"	65	265	180	145	120	22	3	8-Φ18	240	360
3"	80	280	195	160	135	22	3	8-Φ18	280	385
4"	100	300	230	190	160	24	3	8-Φ23	300	430
5"	125	325	270	220	188	28	3	8-Φ25	320	520
6"	150	350	300	250	218	30	3	8-Φ25	350	610
8"	200	400	360	310	278	34	3	12-Φ25	400	765
10"	250	450	425	370	332	36	3	12-Φ30	450	895
12"	300	500	485	430	390	40	4	16-Φ30	500	1145

GLOBE VALVE FLANGE ENDS, 150/300LBS

美标法兰截止阀



产品说明

- 精密铸造阀体
- 金属密封阀座
- 手轮操作
- 铸造手柄
- 工作压力：150/300磅

标准

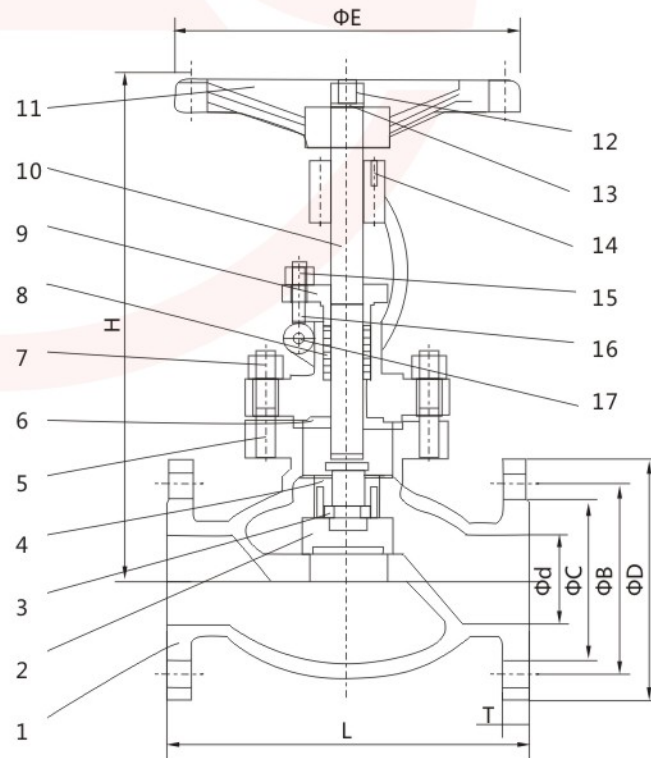
- 设计标准：ASME B16.34
- 法兰标准：ASME B16.5
- 结构长度：ASME B16.10
- 检测标准：API 598

PRODUCT DESCRIPTION:

Investment Casting Body
Metal to Metal Sealing
Wheel Handle
Casting Handle
Working Pressure: 150/300LBS

STANDARD:

Design Acc: ASME B16.34
Flange Acc: ASME B16.5
Face to Face Acc: ASME B16.10
Inspection & Testing Acc: API 598



GLOBE VALVE FLANGE ENDS, 150/300LBS

美标法兰截止阀

ITEM	PART 零配件		MATERIAL 材质		
1	Body	阀体	CF8M	CF8	WCB
2	Disc	阀瓣	CF8M	CF8	WCB
3	Half Ring	金属圈	304		
4	Disc Cover	阀瓣盖	CF8M	CF8	WCB
5	Bolt	螺栓	A193-B8		
6	Gasket	密封圈	PTFE		
7	Nut	螺母	A194-8		
8	Stem Packing	填料	PTFE		
9	Bonnet	阀盖	CF8M	CF8	WCB
10	Stem	阀杆	316	304	
11	Wheel Handle	手轮	FCD		
12	Stem Nut	阀杆螺母	A194-8		
13	Washer	垫圈	301		
14	Small Bolt	小螺栓	301		
15	Nut	螺母	A194-8		
16	Eye Bolt	螺栓	304		
17	Locking Pin	紧固销	304		

ANSI 150LBS (美标150LBS)

SIZE	Φd	L	ΦC	ΦF	ΦD	T	f	N-Φh	ΦE	H
1/2"	15	108	35	60.5	89	11.2	1.6	4-Φ16	100	200
3/4"	20	117	43	69.9	98	11.2	1.6	4-Φ16	120	205
1"	25	127	51	79.2	108	12	1.6	4-Φ16	140	220
1-1/4"	32	140	63	89	117	12.7	1.6	4-Φ16	150	240
1-1/2"	40	165	73	98.6	127	14.3	1.6	4-Φ16	160	260
2"	50	203	92	120.7	152	15.9	1.6	4-Φ19	220	295
2-1/2"	65	216	105	139.7	178	17.5	1.6	4-Φ19	220	325
3"	80	241	127	152.4	190	19.1	1.6	4-Φ19	240	360
4"	100	292	157	190.5	229	23.9	1.6	8-Φ19	280	420
5"	125	356	186	216	254	23.9	1.6	8-Φ22	350	460
6"	150	406	216	241.5	279	25.4	1.6	8-Φ22	400	500
8"	200	495	270	298.5	343	28.6	1.6	8-Φ22	450	550
10"	250	622	324	362	406	31	1.6	12-Φ25	500	650
12"	300	698	381	431.8	483	32	1.6	12-Φ25	550	850

ANSI 300LBS (美标300LBS)

SIZE	Φd	L	ΦC	ΦF	ΦD	T	f	N-Φh	ΦE	H
1/2"	15	152	35	66.5	95	14.3	1.6	4-Φ16	120	220
3/4"	20	178	43	82.5	117	15.9	1.6	4-Φ19	120	230
1"	25	203	51	89	123	17.5	1.6	4-Φ19	140	260
1-1/4"	32	216	63	98.5	133	19.1	1.6	4-Φ19	150	280
1-1/2"	40	229	73	114.3	155	20.7	1.6	4-Φ22	200	300
2"	50	267	92	127	165	22.3	1.6	8-Φ19	240	330
2-1/2"	65	292	105	149.4	190	25.4	1.6	8-Φ22	240	360
3"	80	318	127	168.1	210	28.6	1.6	8-Φ22	280	400
4"	100	356	157	200.2	254	31.8	1.6	8-Φ22	320	460
5"	125	400	186	235	279	35	1.6	8-Φ22	400	500
6"	150	444	216	269.7	318	36.6	1.6	12-Φ22	500	550
8"	200	559	270	330.2	381	41.3	1.6	12-Φ25	550	600
10"	250	622	324	387.5	444	48	1.6	16-Φ29	600	700
12"	300	711	381	450.8	521	51	1.6	16-Φ32	650	900

GATE VALVE FLANGE ENDS, GB STANDARD

国标法兰截止阀



产品说明

- 精密铸造阀体
- 金属密封阀座
- 手轮操作
- 铸造手柄
- 工作压力：1.6/2.5MPa

标准

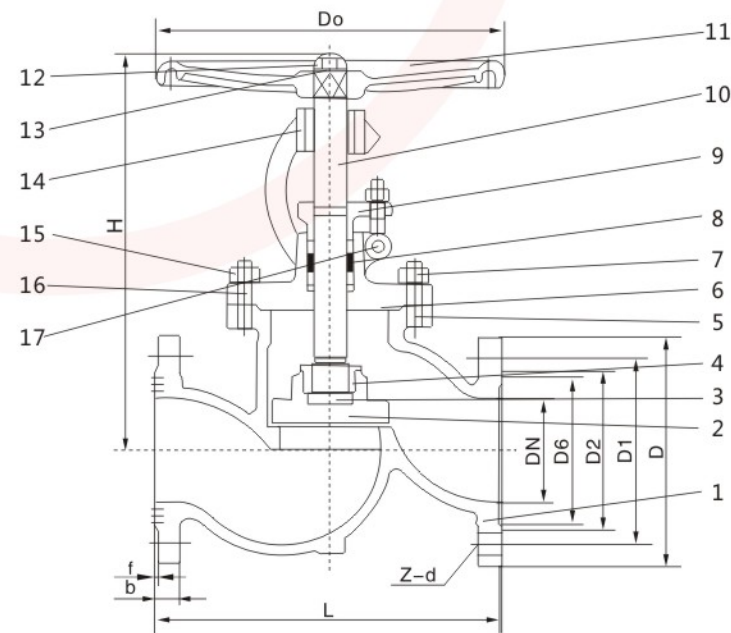
- 设计标准：GB/T12235
- 法兰标准：JB79
- 结构长度：GB/T12221
- 检测标准：JB/T9092

PRODUCT DESCRIPTION:

Investment Casting Body
Metal to Metal Sealing
Wheel Handle
Casting Handle
Working Pressure: 1.6/2.5MPa

STANDARD:

Design Acc: GB/T12235
Flange Acc: JB79
Face to Face Acc: GB/T12221
Inspection&Testing Acc: JB/T9092



GATE VALVE FLANGE ENDS, GB STANDARD

国标法兰截止阀

ITEM	PART 零配件		MATERIAL 材质		
1	Body	阀体	CF8M	CF8	WCB
2	Disc	阀瓣	CF8M	CF8	WCB
3	Half Ring	金属圈	304		
4	Disc Cover	阀瓣盖	CF8M	CF8	WCB
5	Bolt	螺栓	A193-B8		
6	Gasket	密封圈	PTFE		
7	Nut	螺母	A194-8		
8	Stem Packing	填料	PTFE		
9	Bonnet	阀盖	CF8M	CF8	WCB
10	Stem	阀杆	316	304	
11	Wheel Handle	手轮	FCD		
12	Stem Nut	阀杆螺母	A194-8		
13	Washer	垫圈	301		
14	Small Bolt	小螺栓	301		
15	Nut	螺母	A194-8		
16	Eye Bolt	螺栓	304		
17	Locking Pin	紧固销	304		

GB 1.6MPa (国标1.6MPa)

SIZE	Φd	L	ΦC	ΦF	ΦD	T	f	N-Φh	ΦE	H
1/2"	15	130	95	65	45	14	2	4-Φ14	120	195
3/4"	20	150	105	75	55	14	2	4-Φ14	120	215
1"	25	160	115	85	65	14	2	4-Φ14	140	240
1-1/4"	32	180	135	100	78	16	2	4-Φ18	160	250
1-1/2"	40	200	145	110	85	16	3	4-Φ18	200	285
2"	50	230	160	125	100	16	3	4-Φ18	220	300
2-1/2"	65	290	180	145	120	18	3	4-Φ18	240	345
3"	80	310	195	160	135	20	3	8-Φ18	280	350
4"	100	350	215	180	155	20	3	8-Φ18	300	410
5"	125	400	245	210	185	22	3	8-Φ18	320	470
6"	150	480	280	240	210	24	3	8-Φ23	350	495
8"	200	600	335	295	265	26	3	12-Φ23	400	580
10"	250	650	405	355	320	30	3	12-Φ25	450	680
12"	300	750	460	410	375	30	3/4	12-Φ25	500	850

GB 2.5MPa (国标2.5MPa)

SIZE	Φd	L	ΦC	ΦF	ΦD	T	f	N-Φh	ΦE	H
1/2"	15	152	95	65	45	16	1.6	4-Φ14	120	220
3/4"	20	178	105	75	55	16	1.6	4-Φ14	120	230
1"	25	203	115	85	65	16	1.6	4-Φ14	140	260
1-1/4"	32	216	135	100	78	18	1.6	4-Φ18	150	280
1-1/2"	40	229	145	110	85	18	1.6	4-Φ18	200	300
2"	50	267	160	125	100	20	1.6	4-Φ18	240	330
2-1/2"	65	292	180	145	120	22	1.6	8-Φ18	240	360
3"	80	318	195	160	135	22	1.6	8-Φ18	280	400
4"	100	356	230	190	160	24	1.6	8-Φ23	320	460
5"	125	400	270	220	188	28	1.6	8-Φ25	400	500
6"	150	444	300	250	218	30	1.6	8-Φ25	500	550
8"	200	559	360	310	278	34	1.6	12-Φ25	550	600
10"	250	622	425	370	332	36	1.6	12-Φ30	600	700
12"	300	711	485	430	390	40	1.6	16-Φ30	650	900

